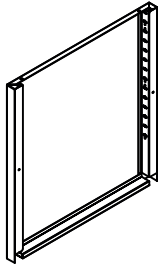
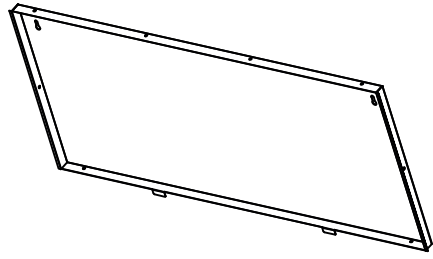


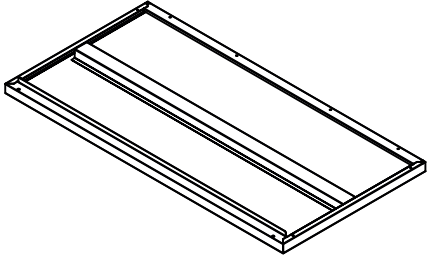
A*2



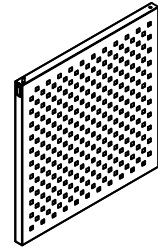
B*1



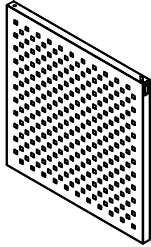
C*1



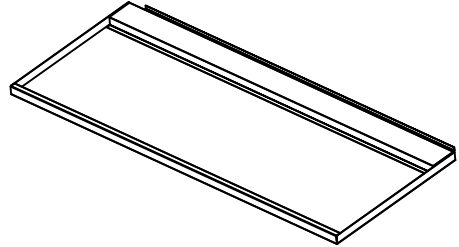
D*1



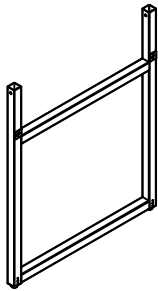
E*1



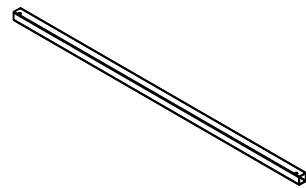
F*2



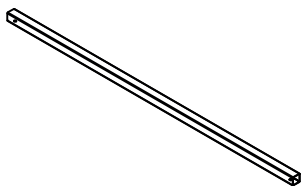
G*2



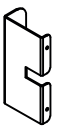
H*2



I*2



a



x2

b



x8

c



x4

d



x2

e



x2

f

M4x10



x30

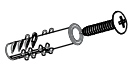
g

M3x8



x4

h

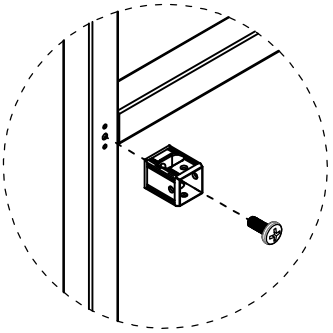
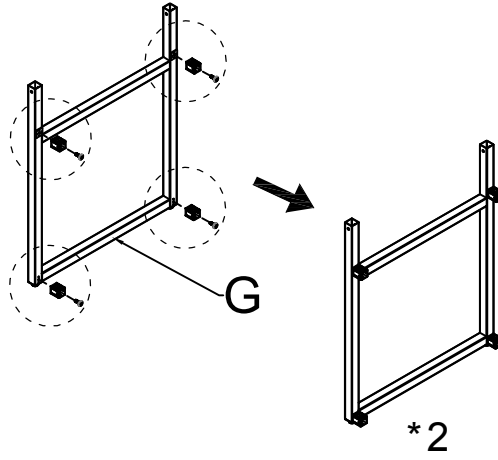


x2

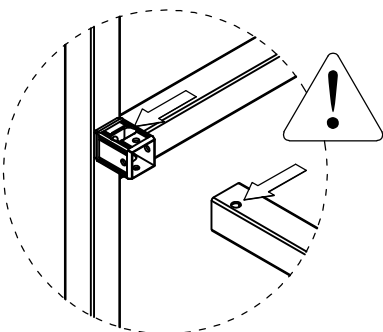
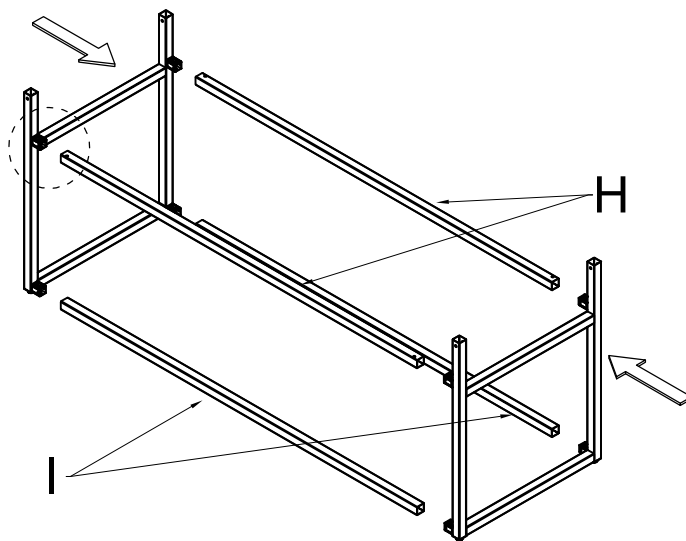
1

f × 8

b × 8

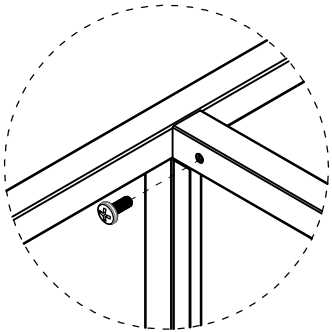
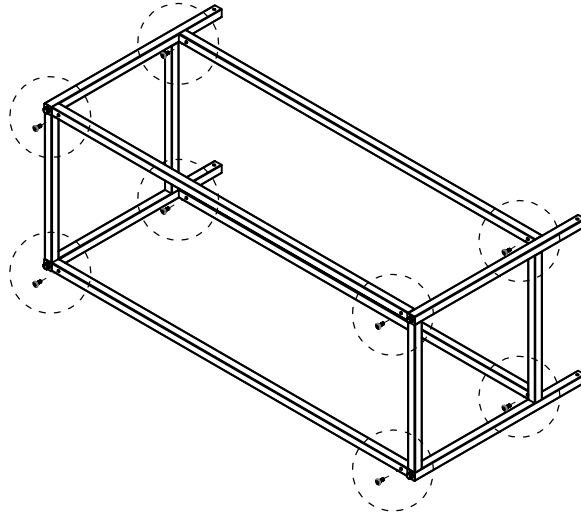


2

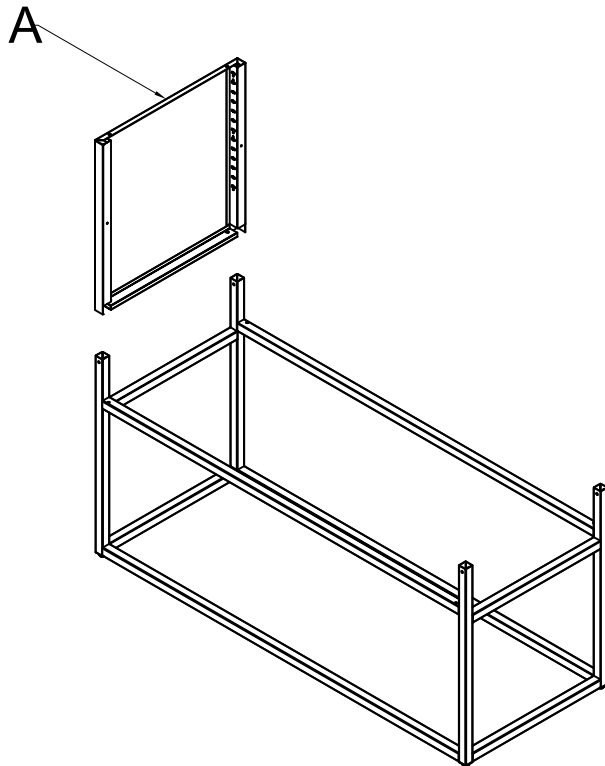


3

f × 8

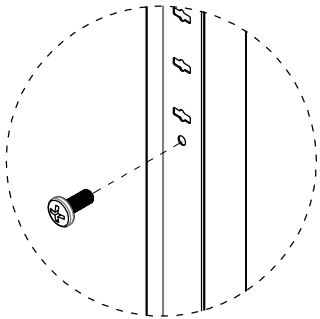
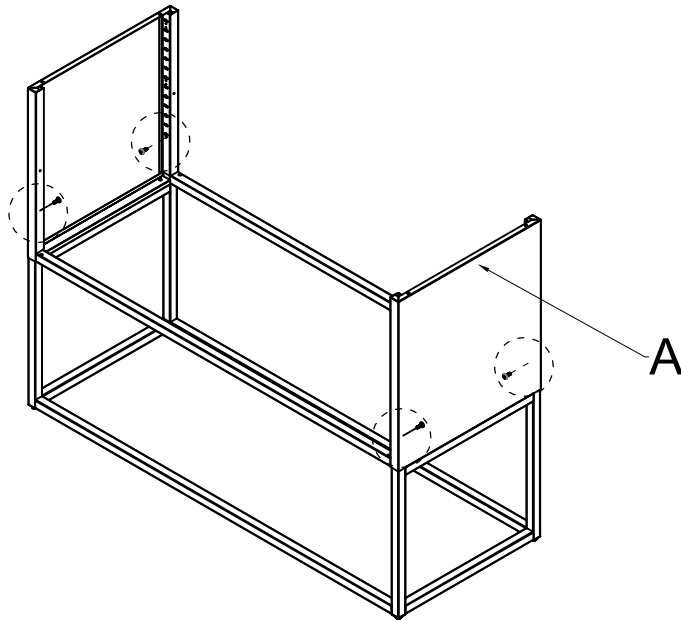



4



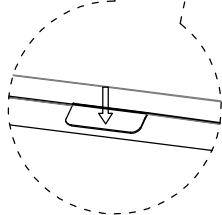
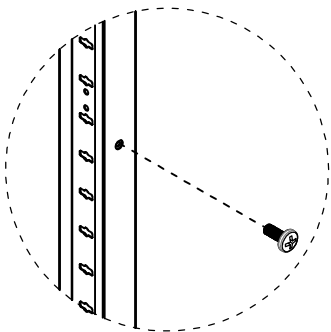
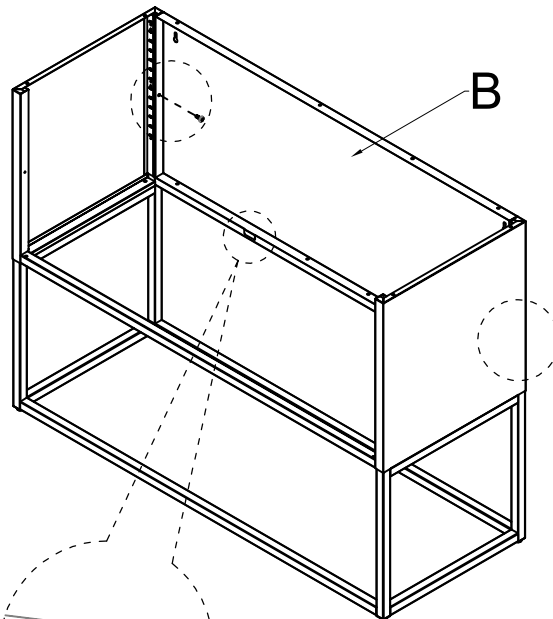

5

f × 4



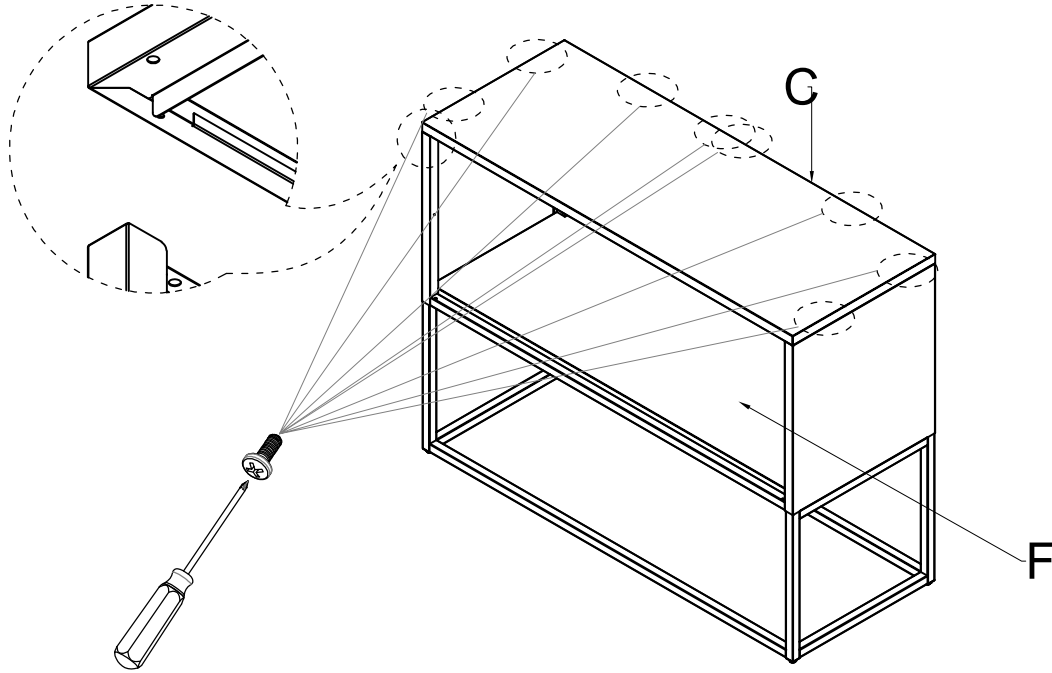
6

f × 2



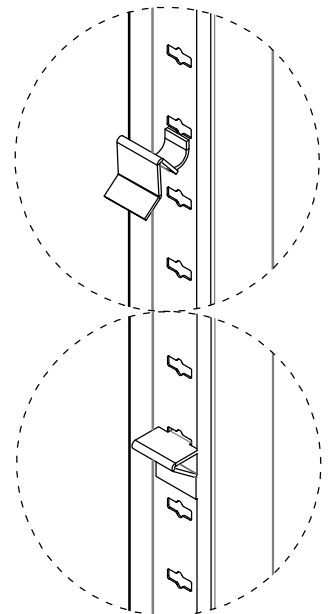
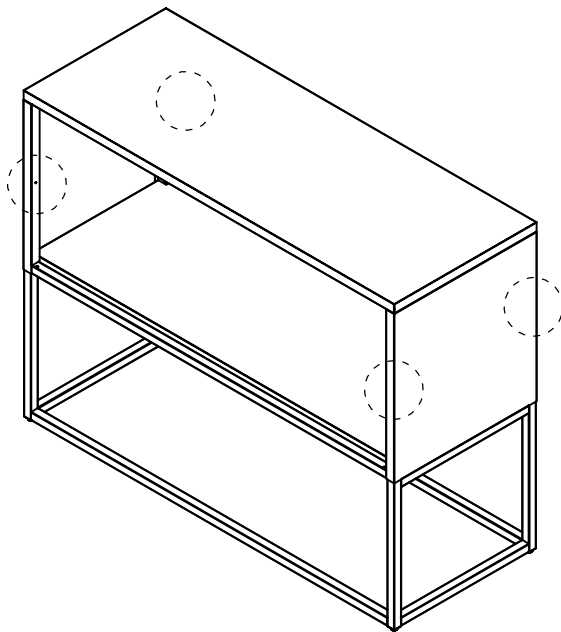
7

f × 8

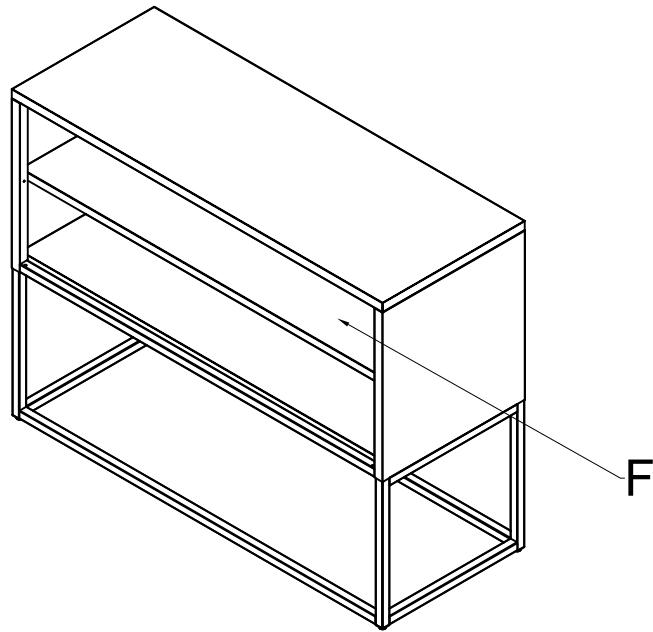


8

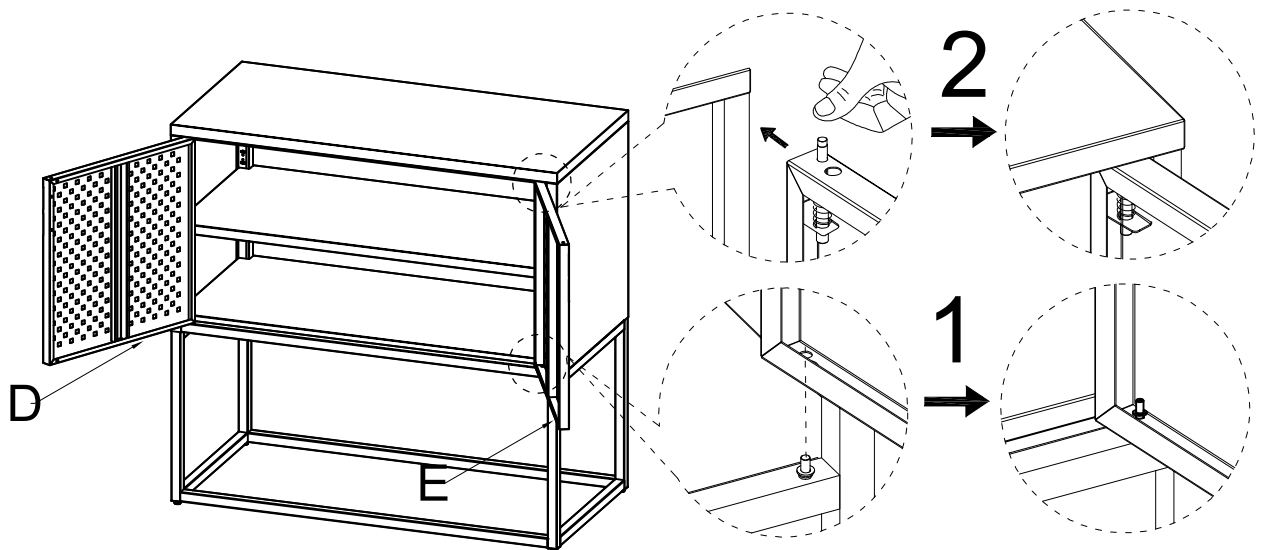
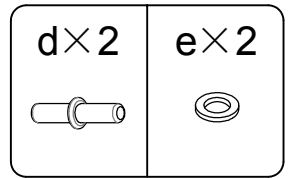
c × 4



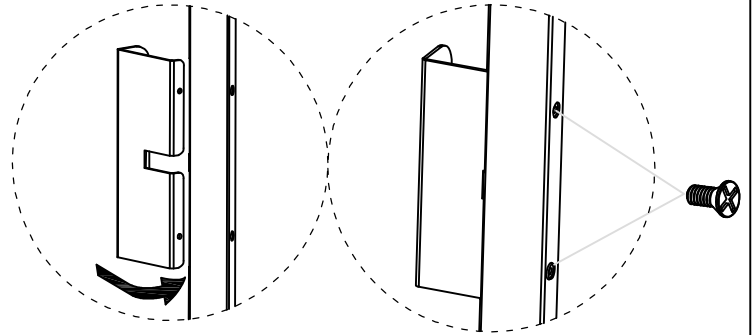
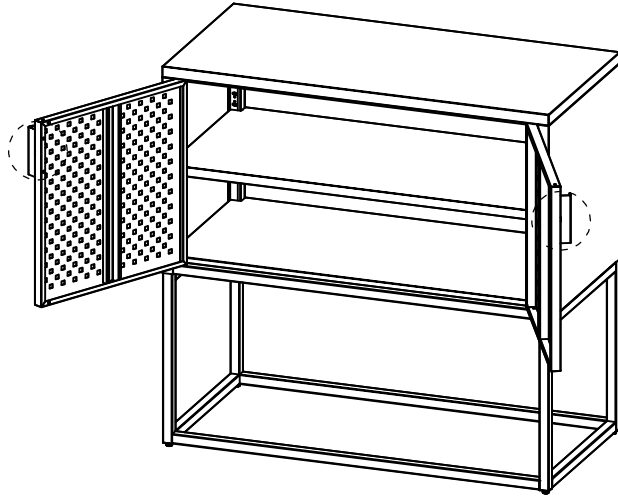
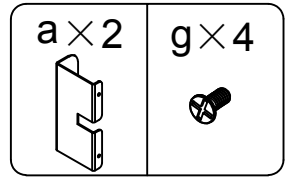
9



10



11



12

