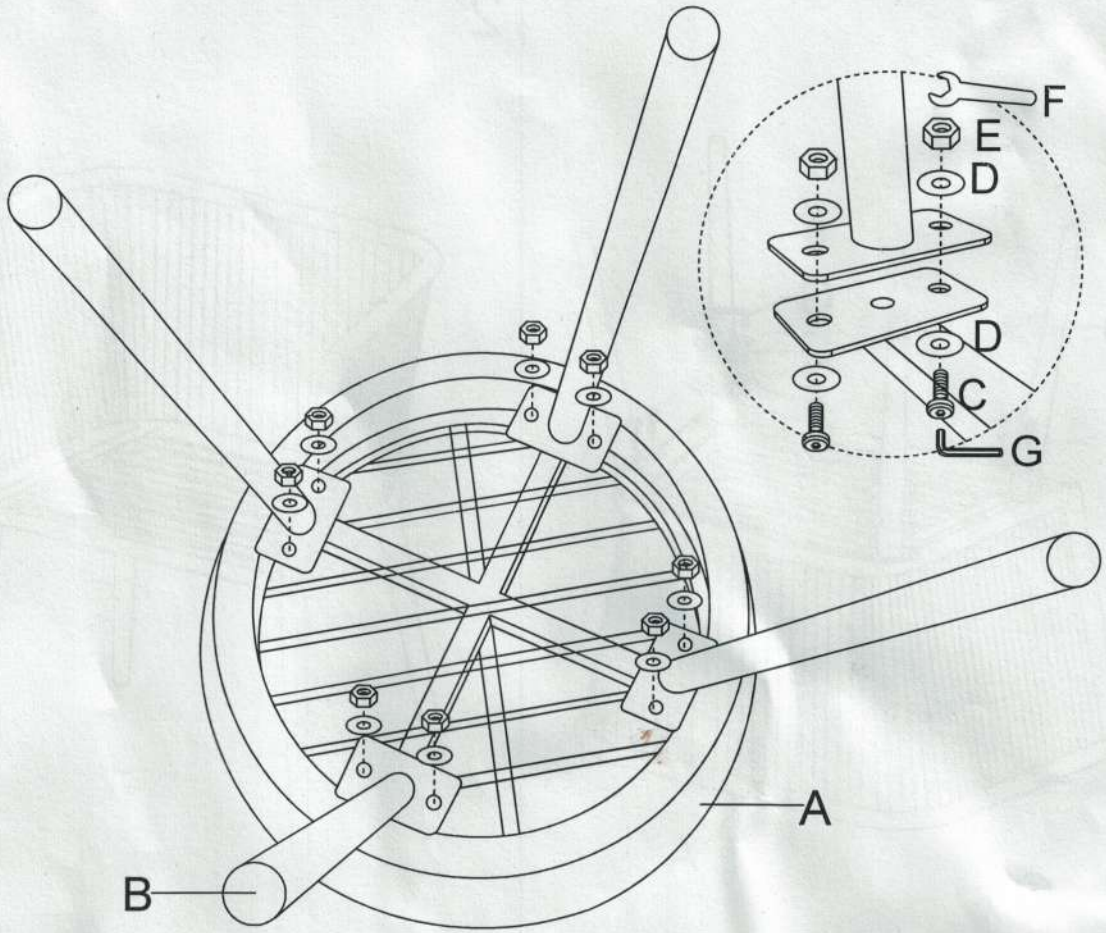


1

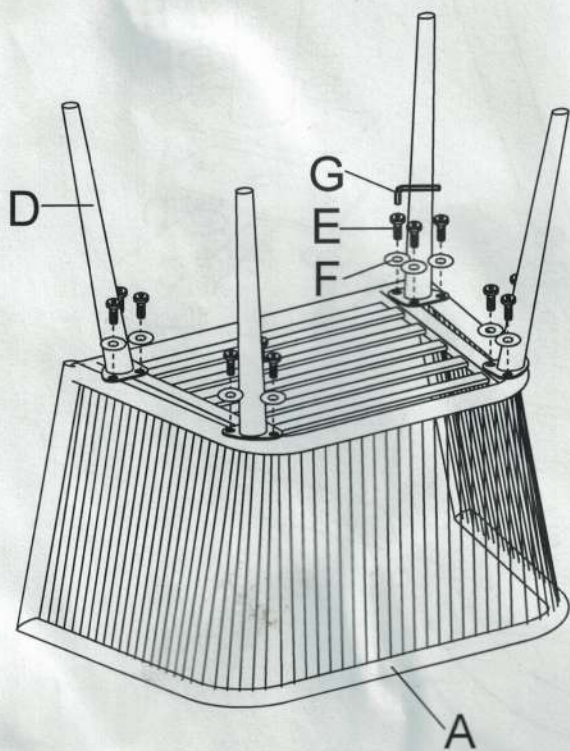


2



A		1
B		4
C		8
D		16
E		8
F		1
G		1

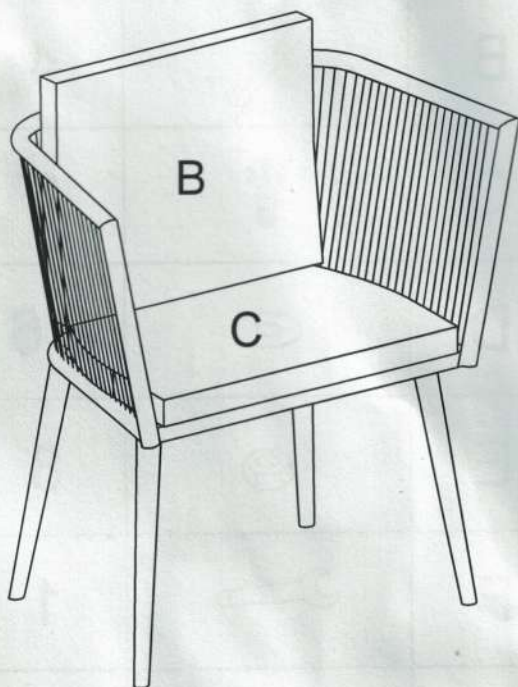
1



2



3



A		1
B		1
C		1
D		4
E		12
F		12
G		1