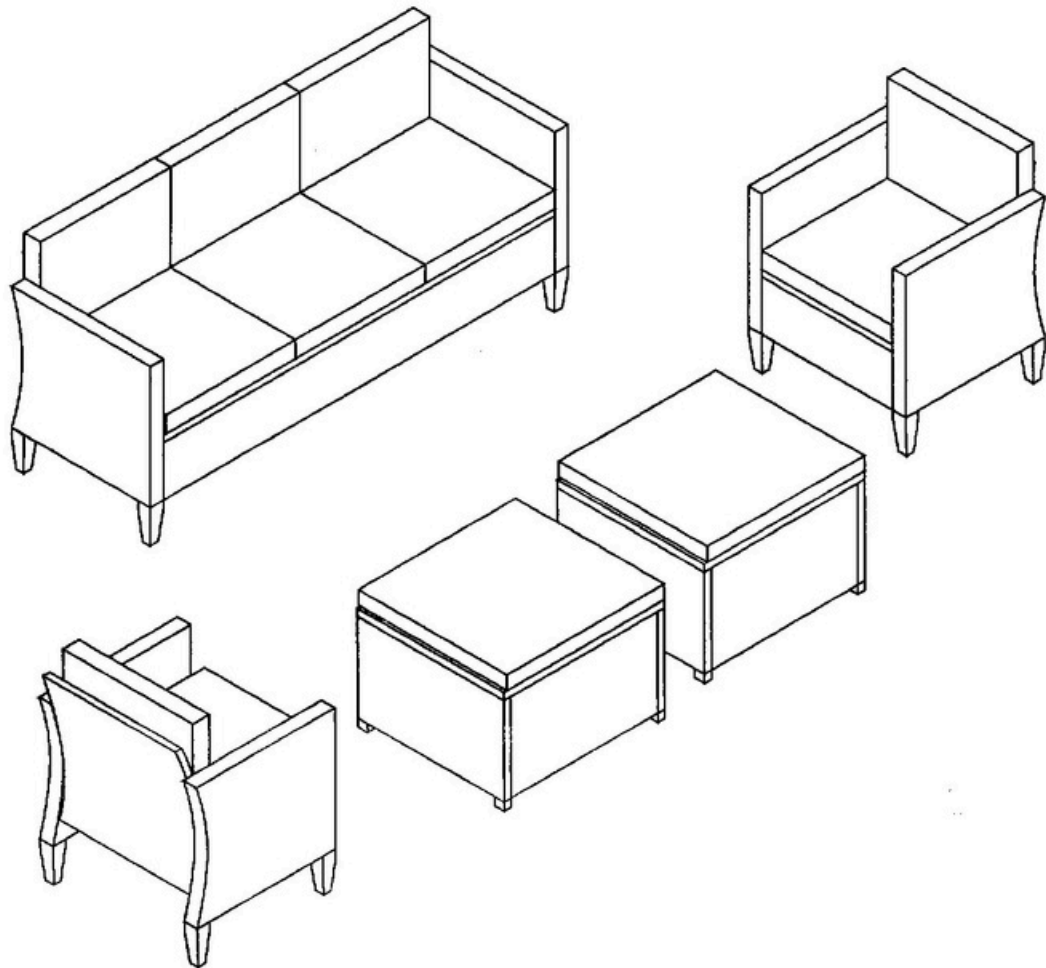
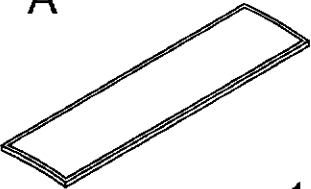
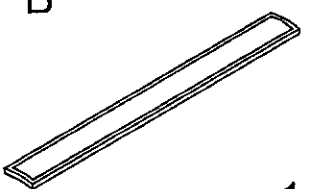
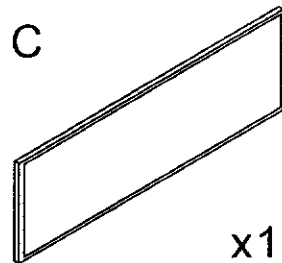
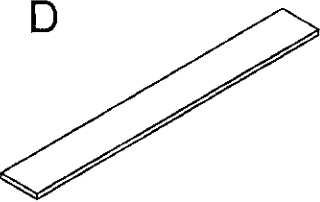
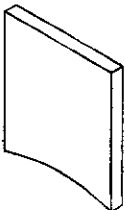
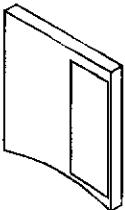

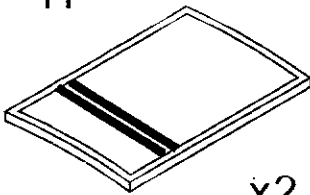
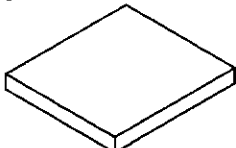
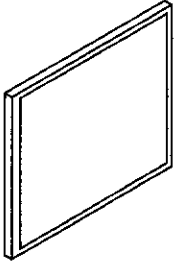
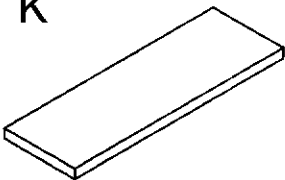
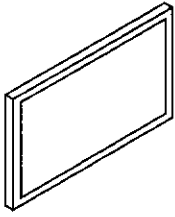
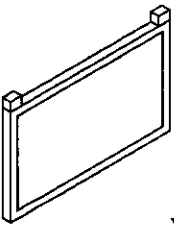
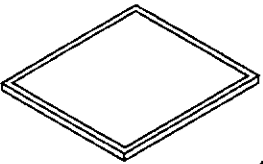
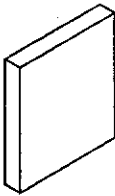
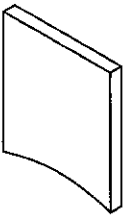
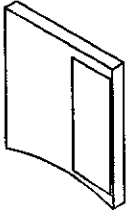



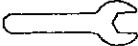



Assembly Instructions

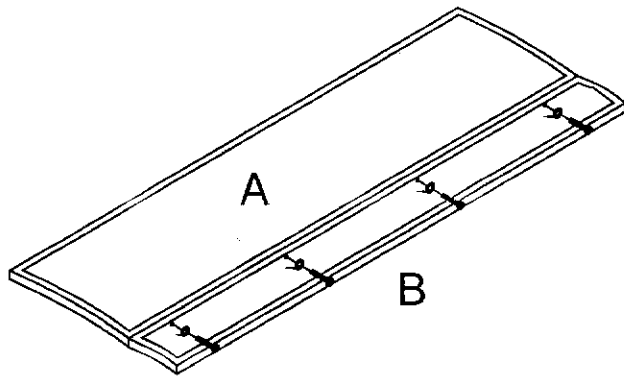


<p>A</p>  <p>x1</p>	<p>B</p>  <p>x1</p>	<p>C</p>  <p>x1</p>	<p>D</p>  <p>x1</p>
<p>E</p>  <p>x1</p>	<p>F</p>  <p>x1</p>	<p>G</p>  <p>x12</p>	<p>H</p>  <p>x2</p>
<p>I</p>  <p>x7</p>	<p>J</p>  <p>x2</p>	<p>K</p>  <p>x2</p>	<p>L</p>  <p>x4</p>
<p>M</p>  <p>x4</p>	<p>N</p>  <p>x2</p>	<p>O</p>  <p>x5</p>	<p>Q</p>  <p>x2</p>
<p>R</p>  <p>x2</p>			

<p>#1</p>  <p>M6x35mm x76</p>	<p>#2</p>  <p>M6x90mm x6</p>	<p>#3</p>  <p>M8 x12</p>	<p>#4</p>  <p>M8 x1</p>	<p>#5</p>  <p>x1</p>

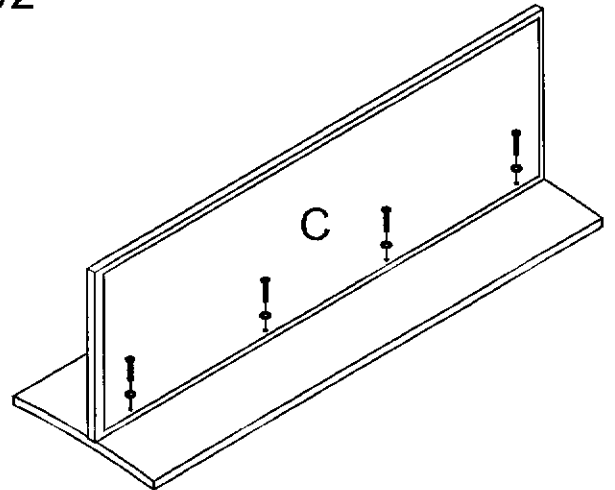
NOTE:50% TIGHTEN BEFORE FIXING ALL BOLTS

01



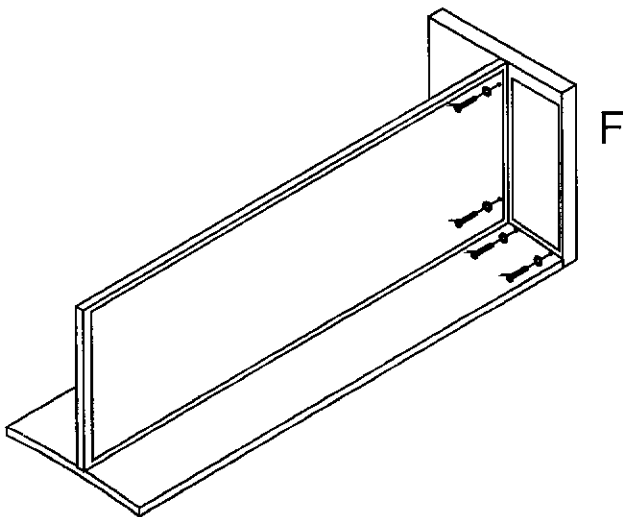
#1*4

02



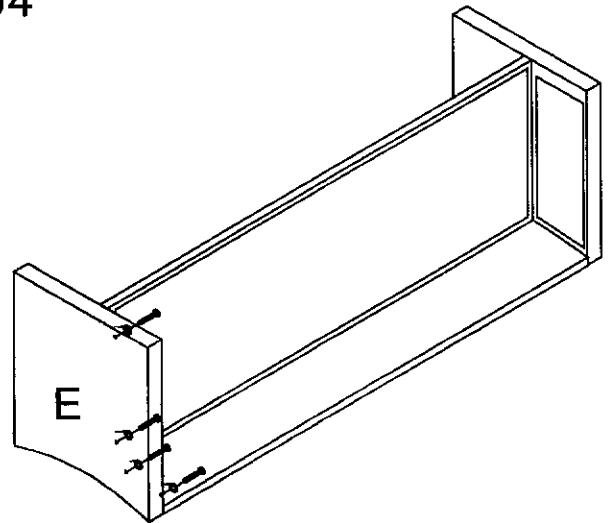
#1*4

03



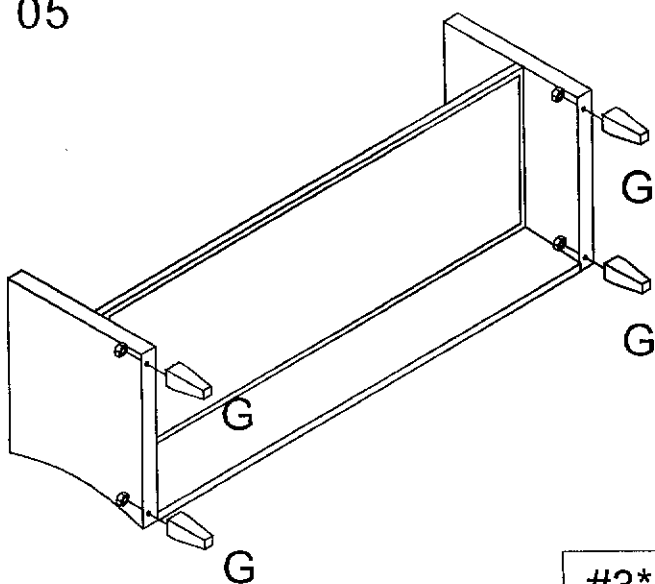
#1*4

04



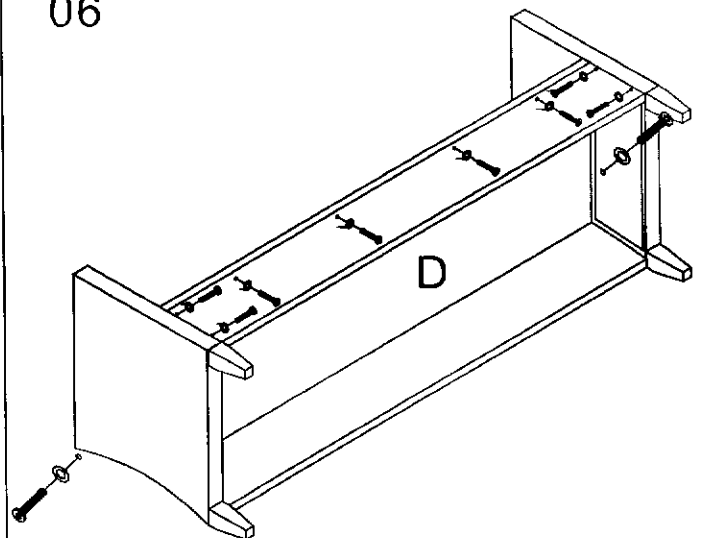
#1*4

05



#3*4

06

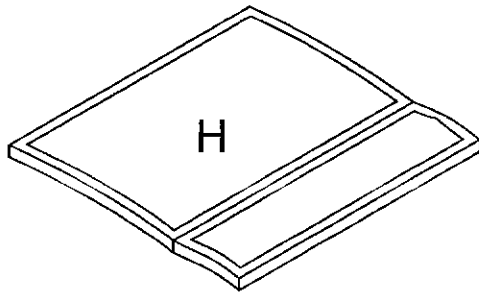


#2*2

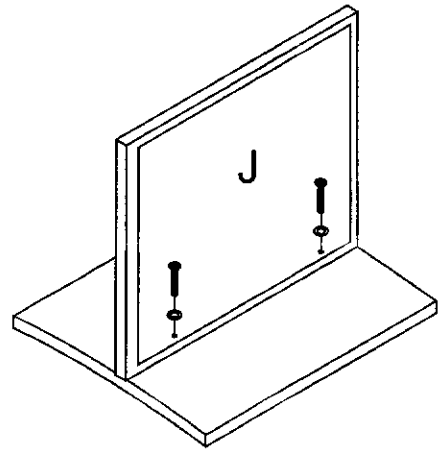
#1*8

NOTE:50% TIGHTEN BEFORE FIXING ALL BOLTS

07



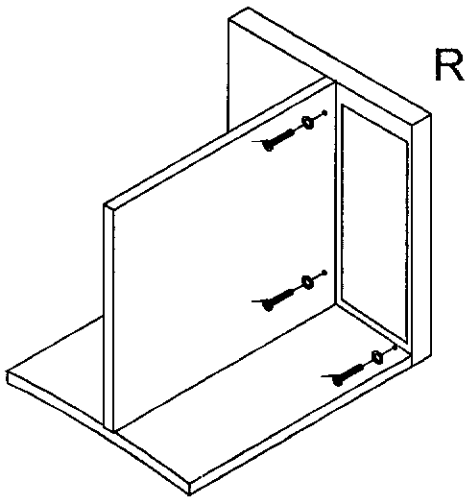
08



#1*2

09

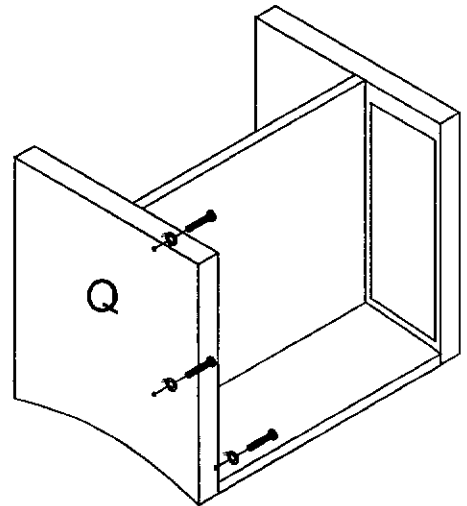
x2



#1*3

10

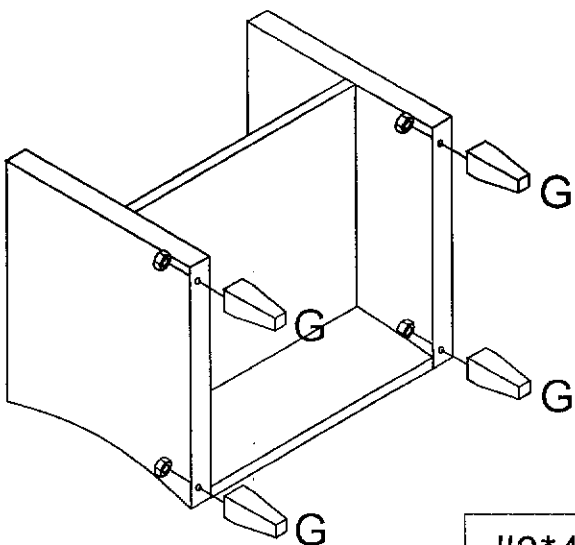
x2



#1*3

11

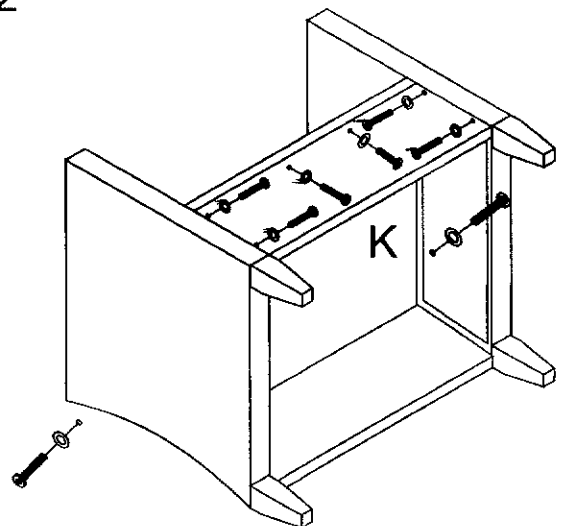
x2



#3*4

12

x2



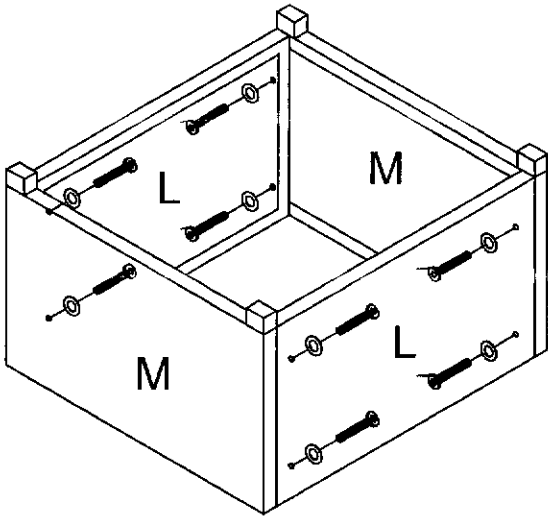
#2*2

#1*6

NOTE:50% TIGHTEN BEFORE FIXING ALL BOLTS

13

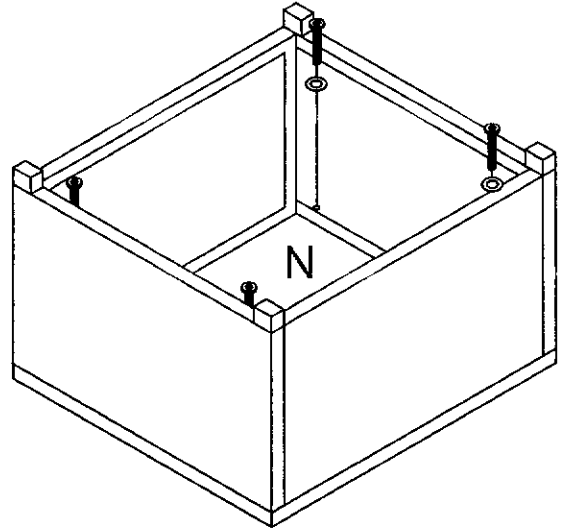
x2



#1*8

14

x2



#1*4

15

