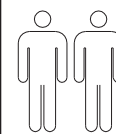


# INSTRUÇÃO DE MONTAGEM Assembly Instruction / Instrucciones de montaje

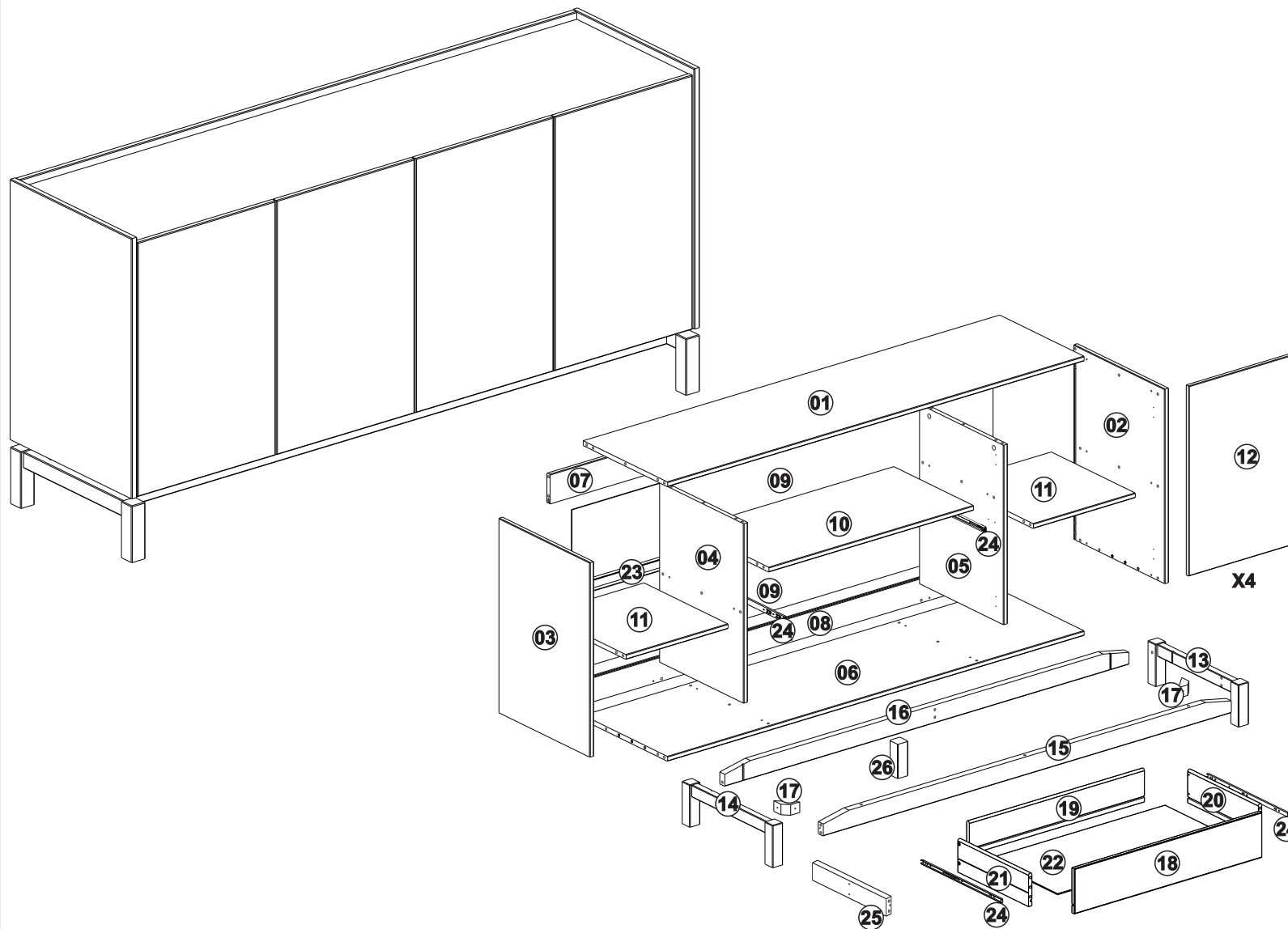
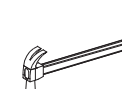
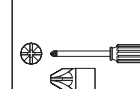
## BALCÃO 4 PORTAS 1 GAVETA BARCELONA

Ref.: 2155

Cabinet 4 Doors 1 Drawer / Aparador 4 Puertas 1 Cajón



1:30h.

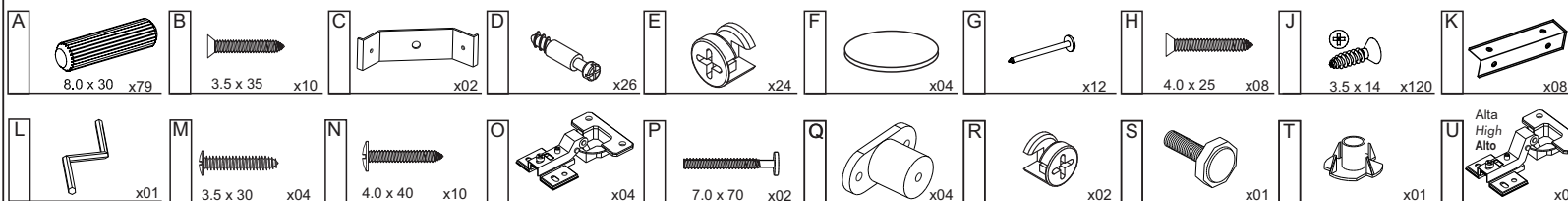


### Lista de peças Parts list / Liste de piezas

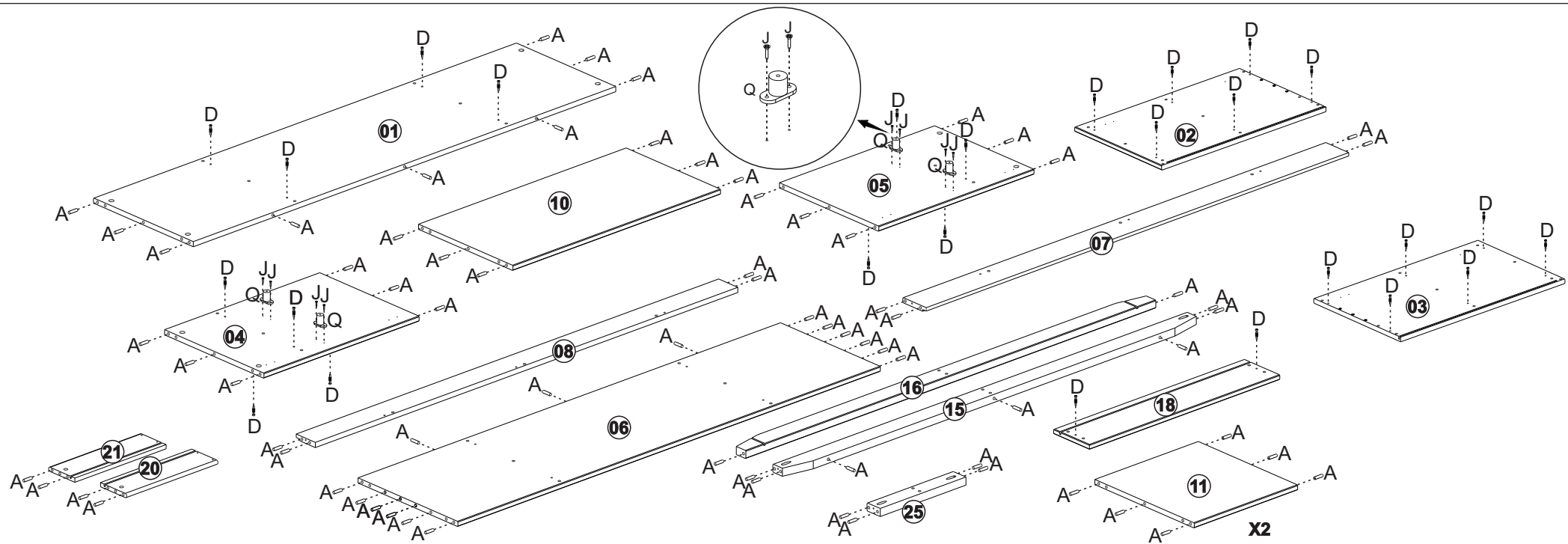
Quant.

1- TAMPO <small>Top / Tapa superior</small>	01
2- LATERAL DIREITA <small>Right side / Lateral derecho</small>	01
3- LATERAL ESQUERDA <small>Left side / Lateral izquierda</small>	01
4- DIVISORIA ESQUERDA <small>Left division / Divisor izquierdo</small>	01
5- DIVISORIA DIREITA <small>Right division / Divisor derecho</small>	01
6- BASE <small>Base / Base</small>	01
7- TRAVESSA TRASEIRA SUPERIOR <small>Upper rear crossbeam / Travesaño superior trasero</small>	01
8- TRAVESSA TRASEIRA INFERIOR <small>Lower rear crossbeam / Travesaño inferior trasero</small>	01
9- FORRO <small>Back panel / Panel trasero</small>	02
10- PRATELEIRA GRANDE <small>Bigger shelf / Estante más grande</small>	01
11- PRATELEIRA MENOR <small>Smaller shelf / Estante más pequeño</small>	02
12- PORTA <small>Door / Puerta</small>	04
13- PÉ LATERAL MONTADO DIREITO <small>Right montane side foot / Pie lateral montano derecho</small>	01
14- PÉ LATERAL MONTADO ESQUERDO <small>Left montane side foot / Pie lateral montano izquierdo</small>	01
15- TRAVESSA INFERIOR FRONTAL <small>Front lower crossbeam / Travesaño inferior delantero</small>	01
16- TRAVESSA INFERIOR TRASEIRA <small>Rear lower crossbeam / Travesaño inferior trasero</small>	01
17- CANTONEIRA <small>Corner / Esquina</small>	02
18- FRENTE GAVETA <small>Drawer front / Frente del cajón</small>	01
19- TRASEIRO GAVETA <small>Drawer back / traseiro cajón</small>	01
20- LATERAL DIREITA GAVETA <small>Right side drawer / Lateral cajón derecho</small>	01
21- LATERAL ESQUERDA GAVETA <small>Left side drawer / Lateral cajón izquierdo</small>	01
22- FORRO GAVETA <small>Drawer base / Base cajón</small>	01
23- PERFIL <small>Back strut / Puntal trasero</small>	01
24- CORREDIÇA <small>Drawer runner / Carril metalico</small>	01
25- SUPORTE PÉ <small>Foot support / Soporte pies</small>	01
26- PÉ CENTRAL <small>Center foot / Pie central</small>	01

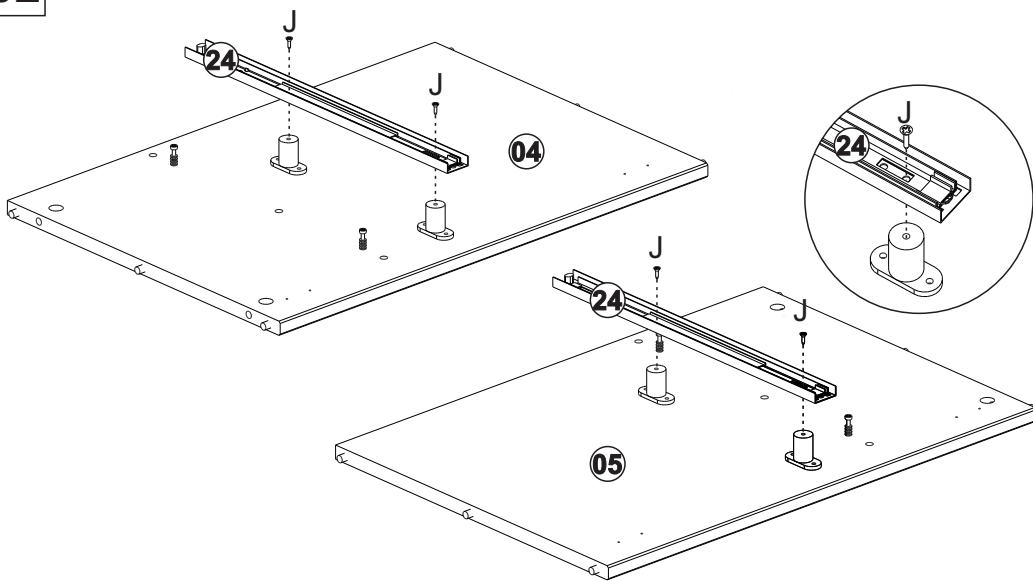
V.:03



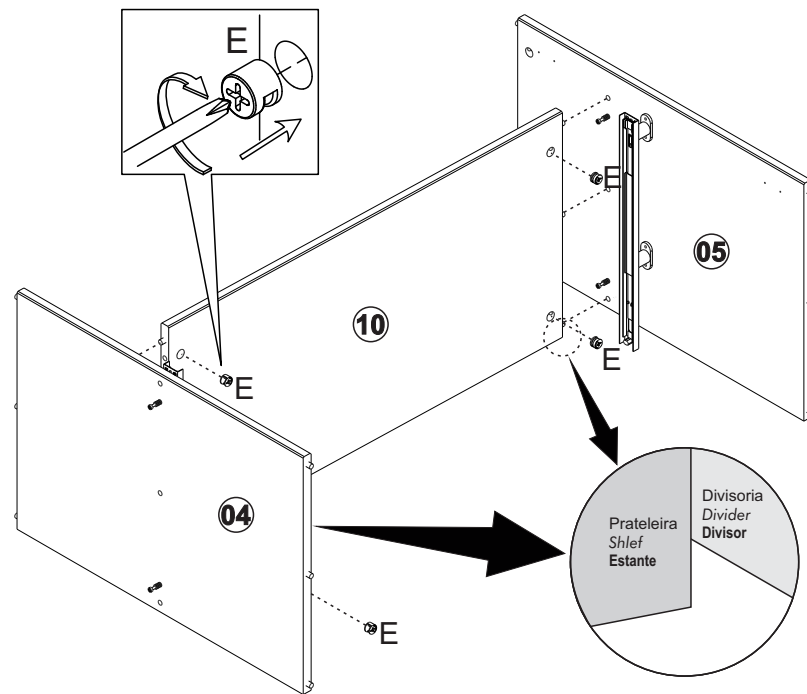
01



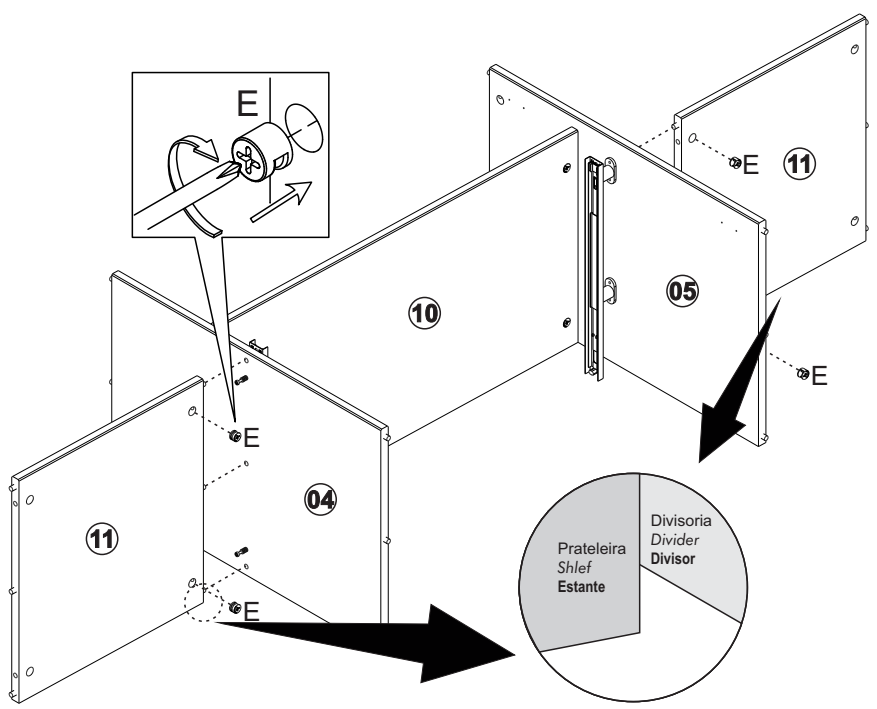
02



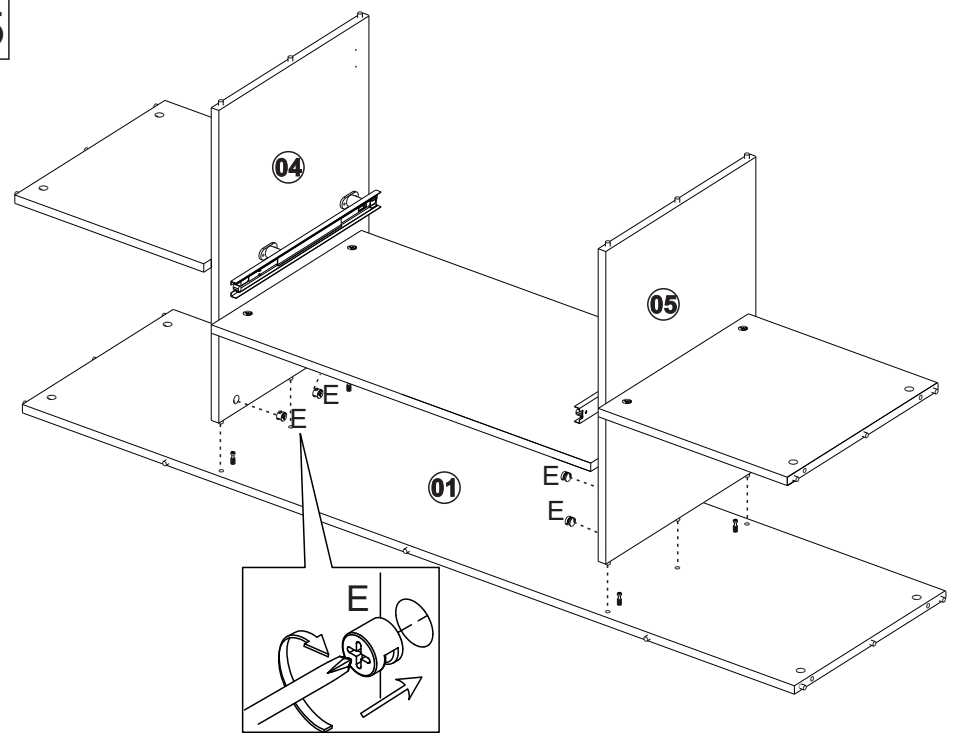
03



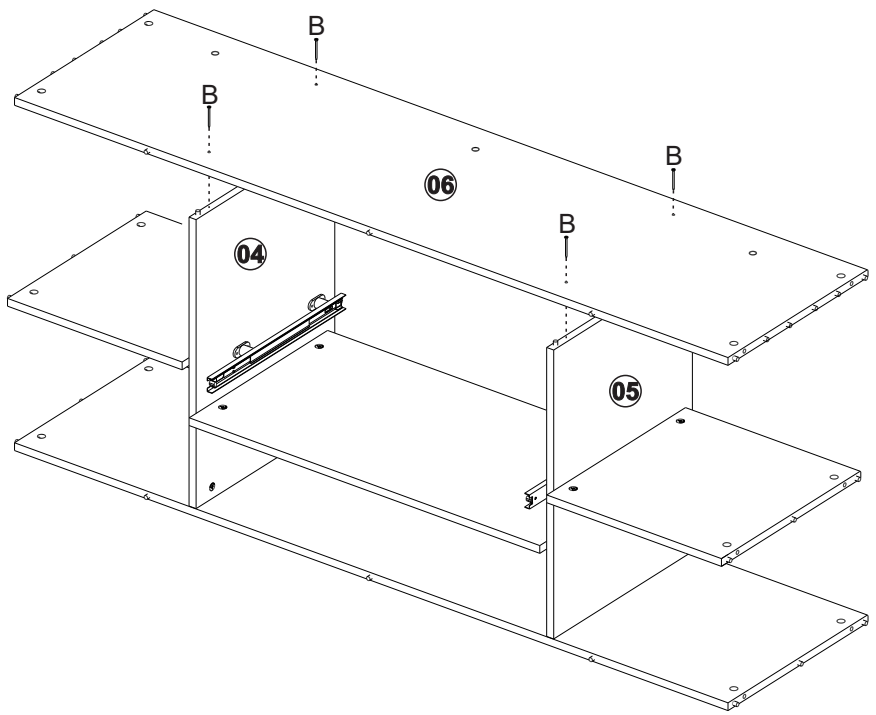
04



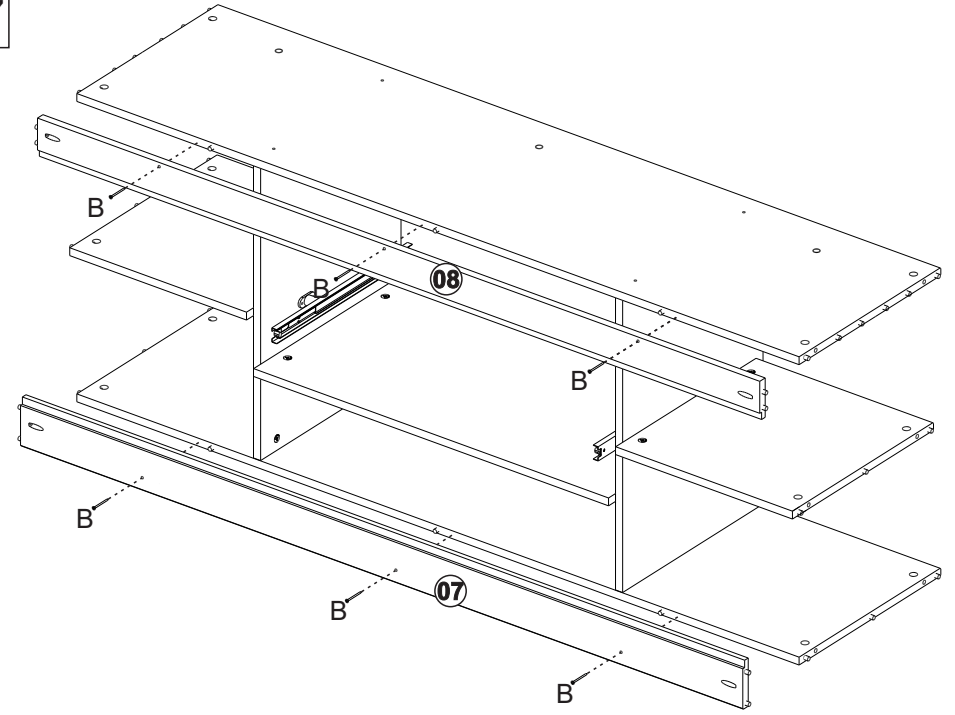
05



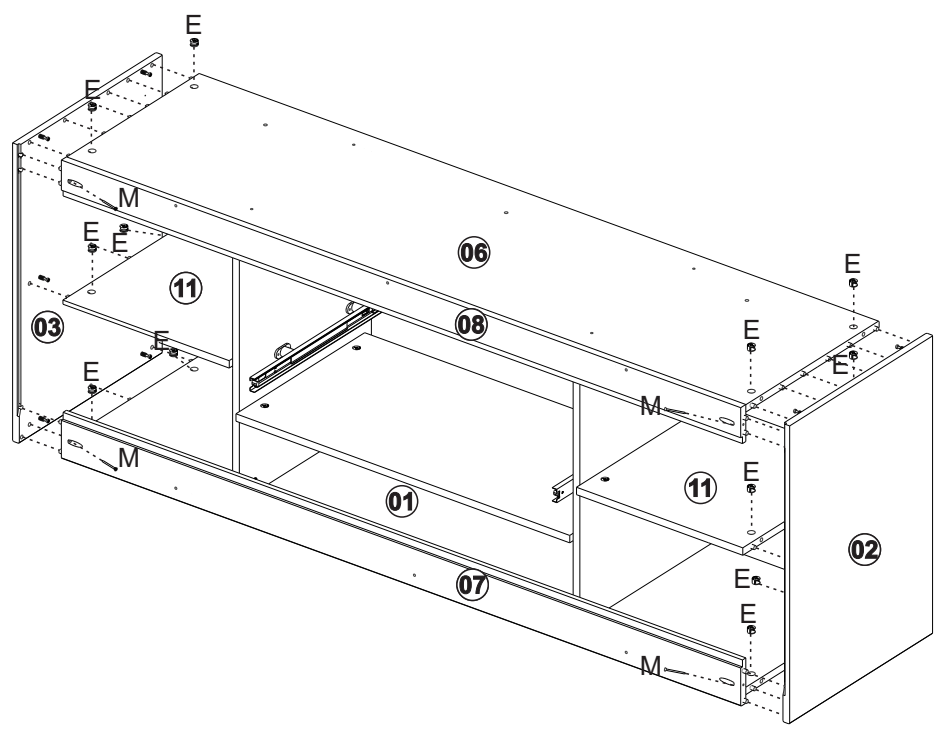
06



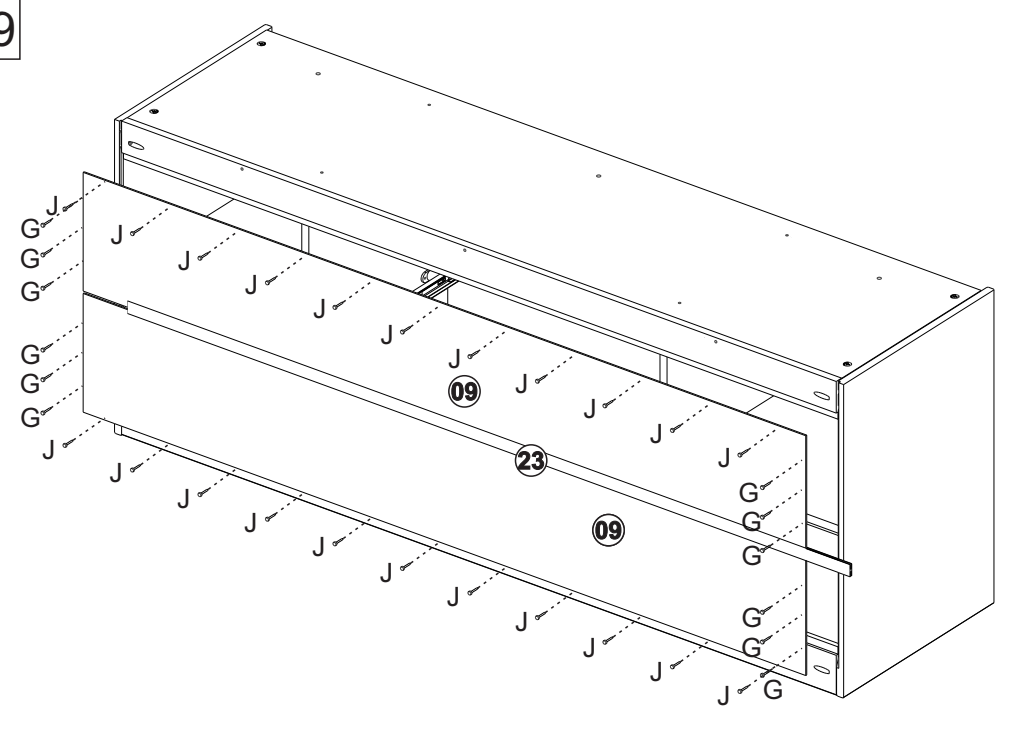
07



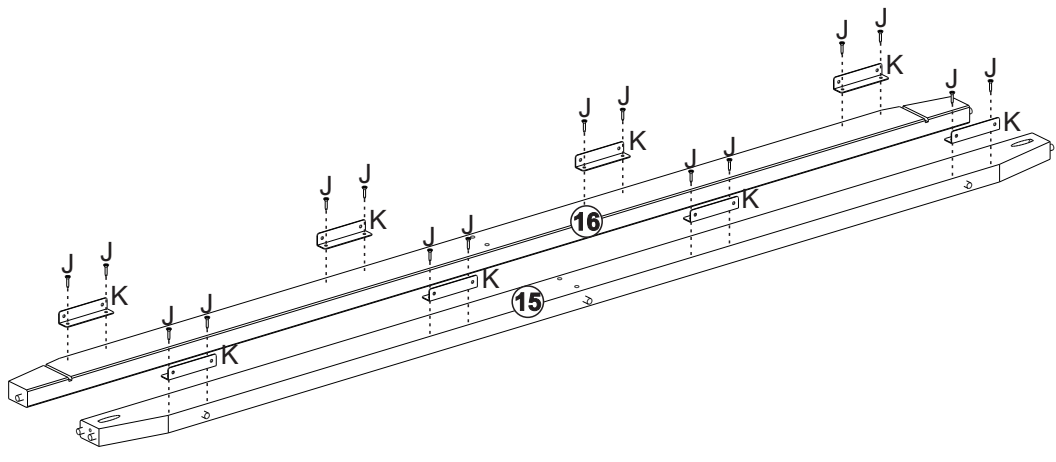
08



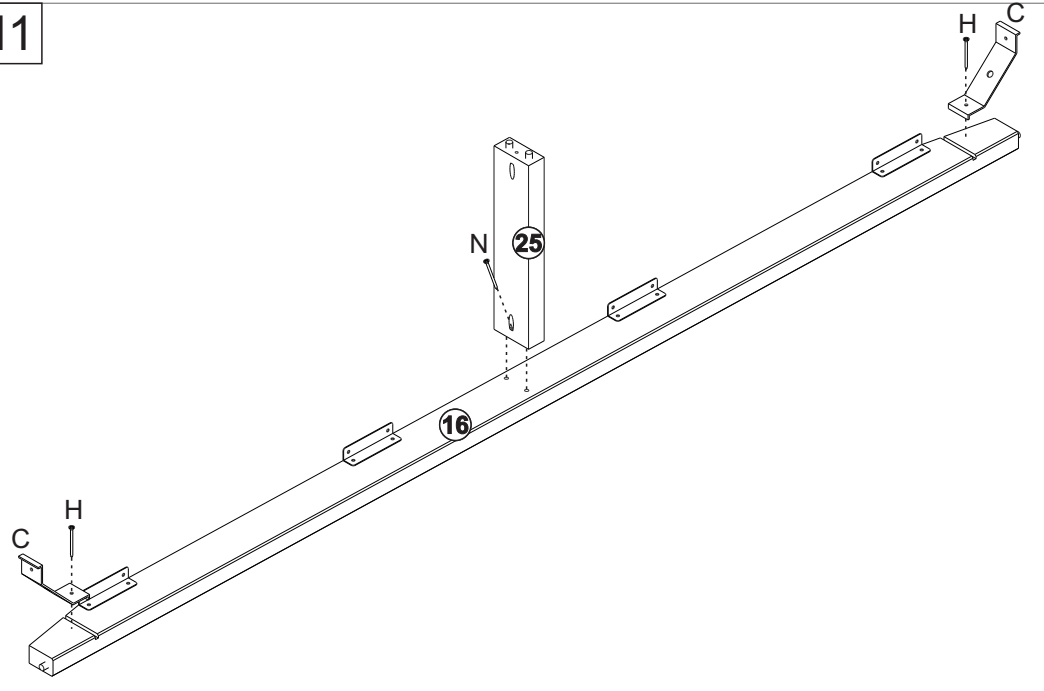
09



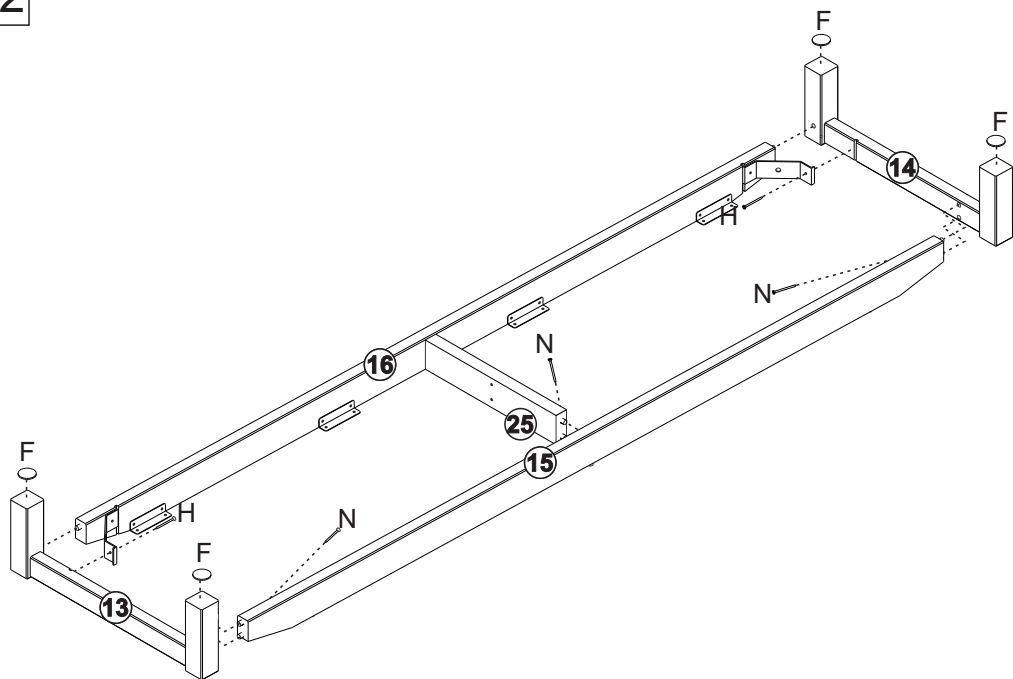
10



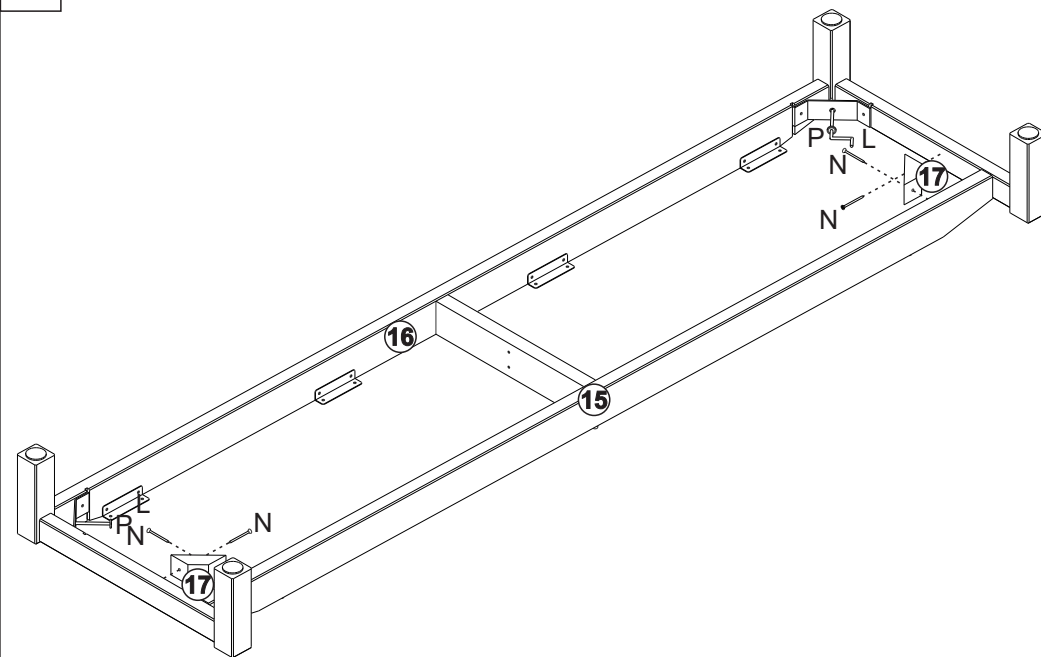
11



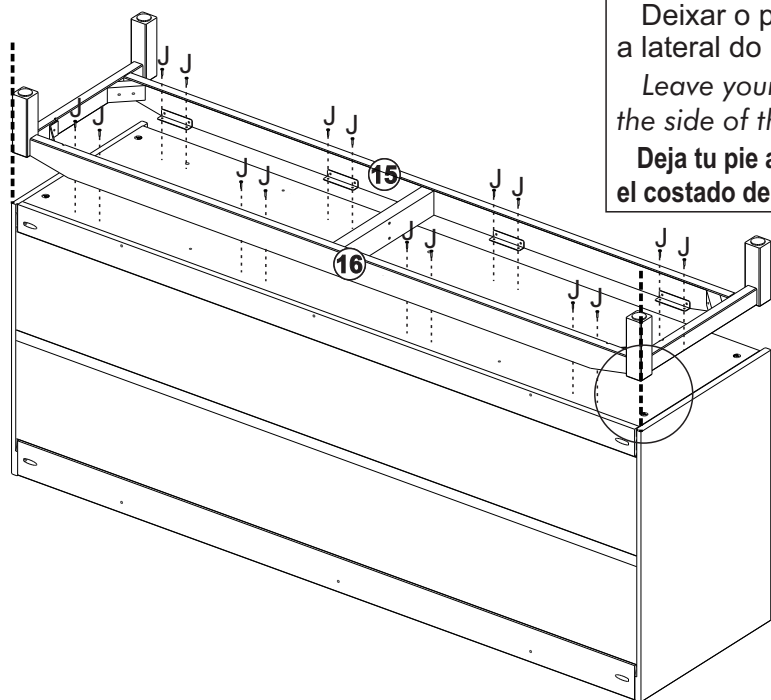
12



13

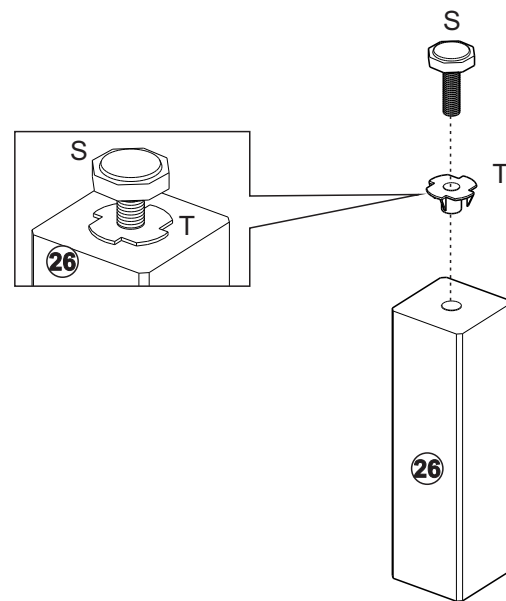


14

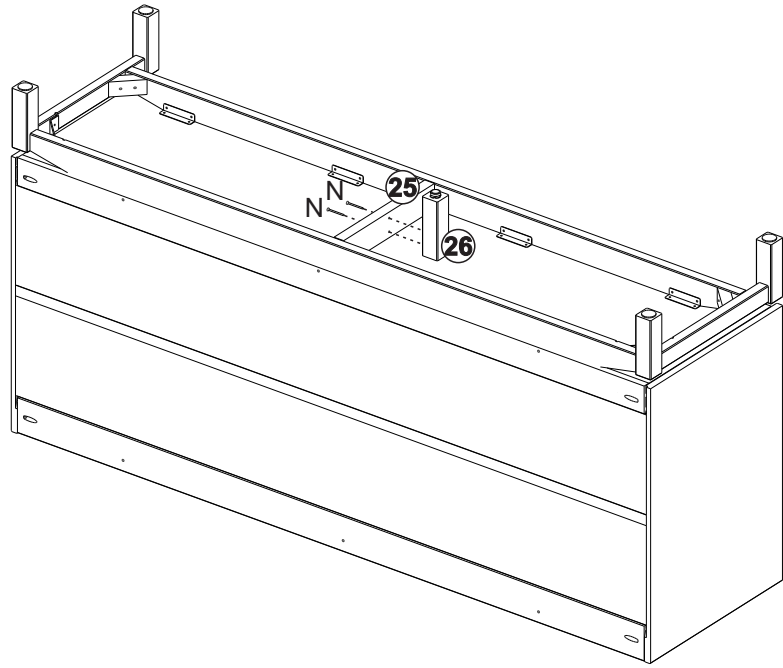


Deixar o pé alinhado com  
a lateral do movel.  
*Leave your foot aligned with  
the side of the furniture.*  
Deja tu pie alineado con  
el costado del mueble.

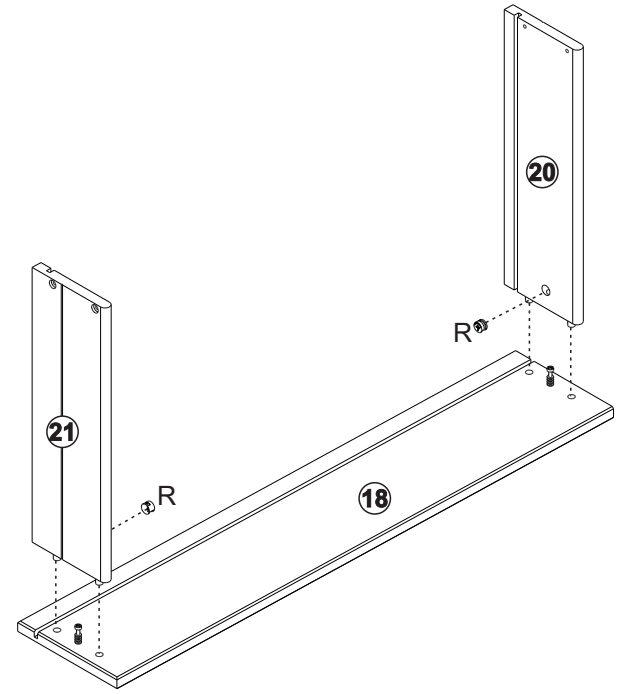
15



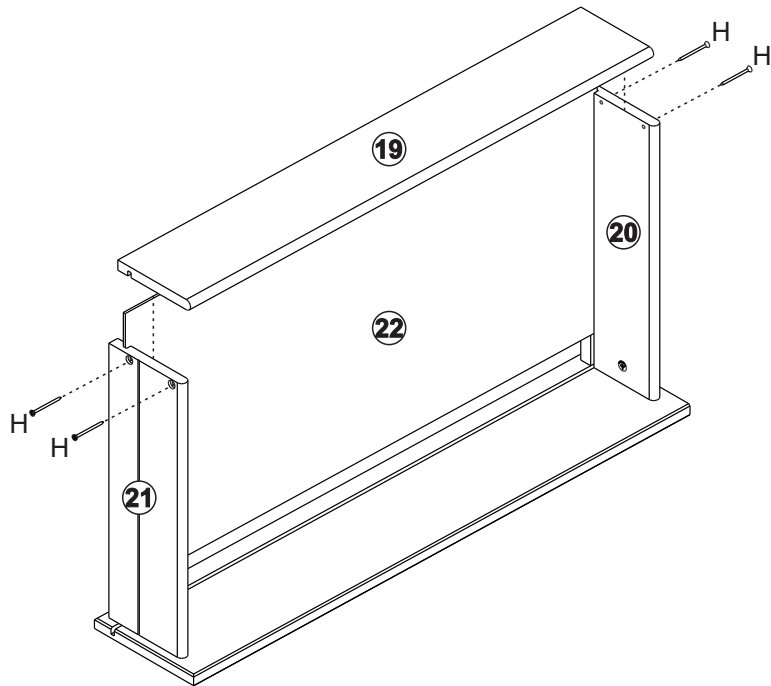
16



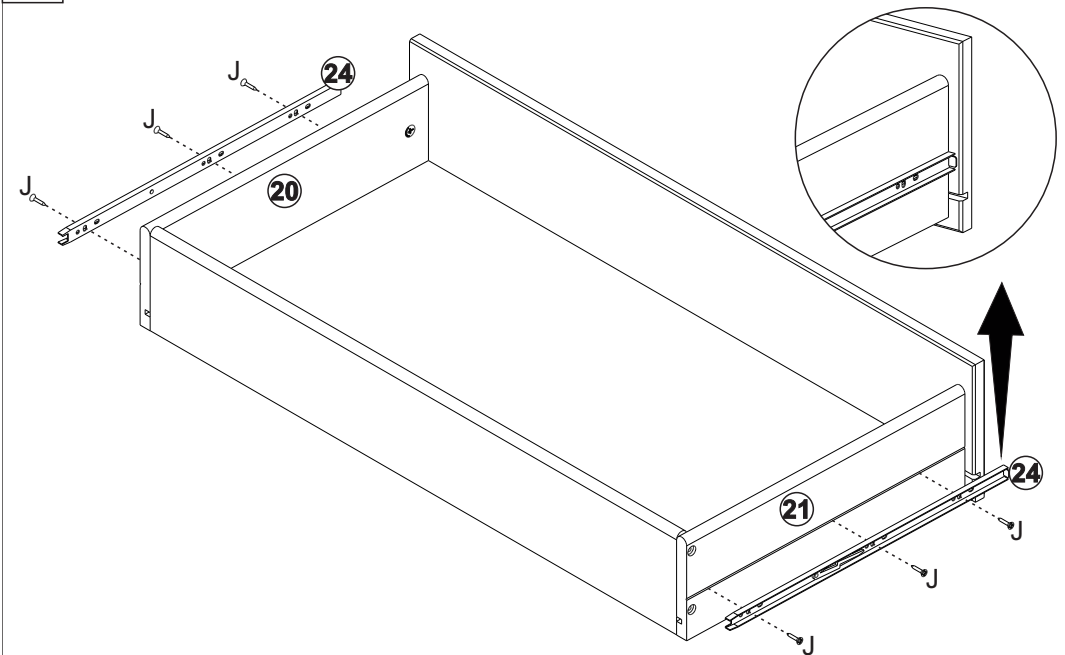
17



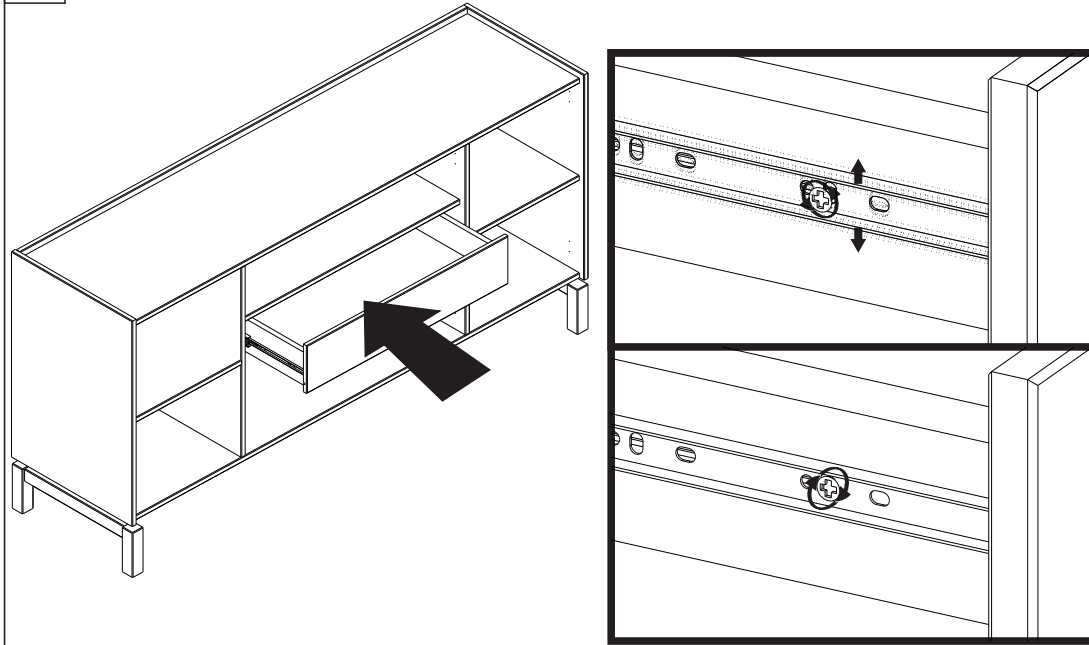
18



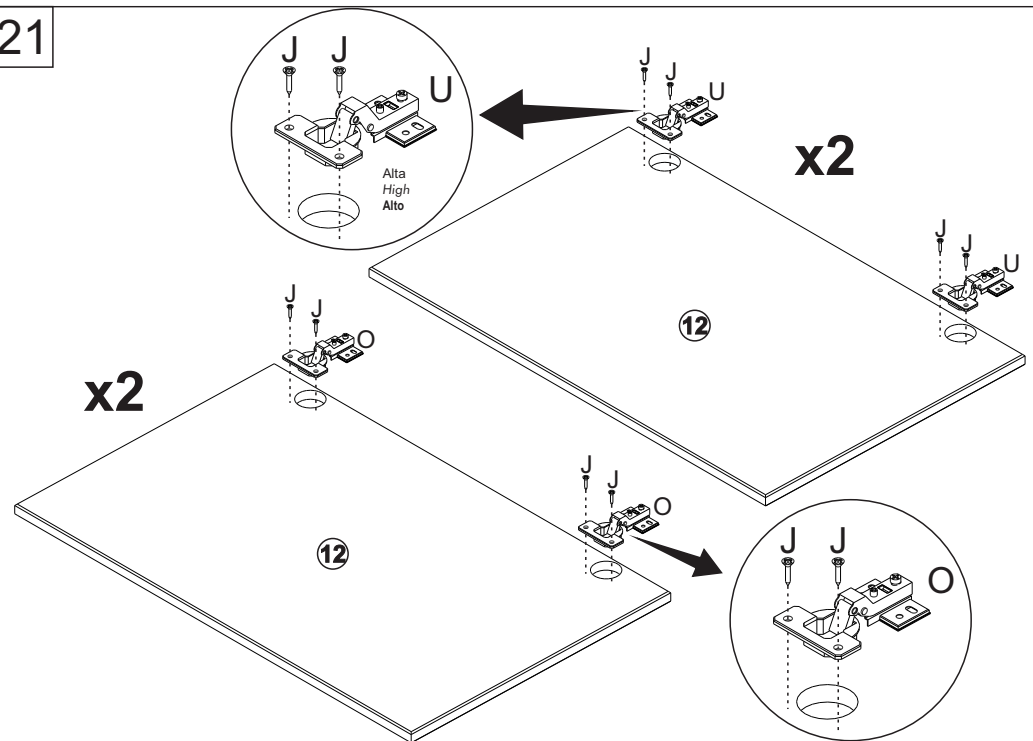
19



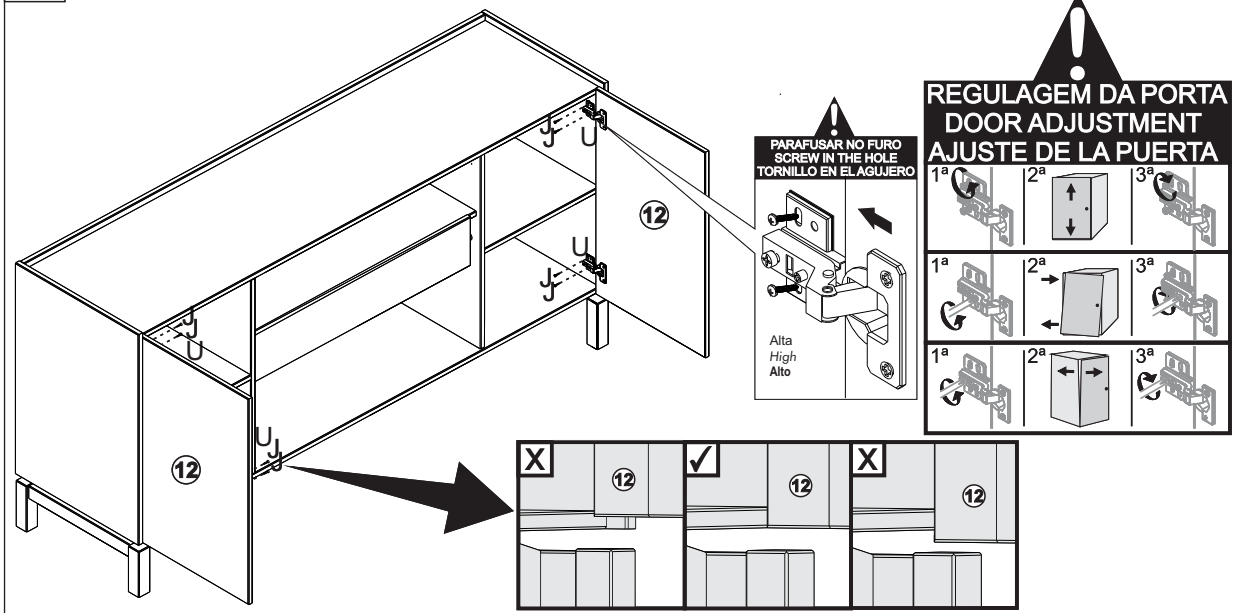
20



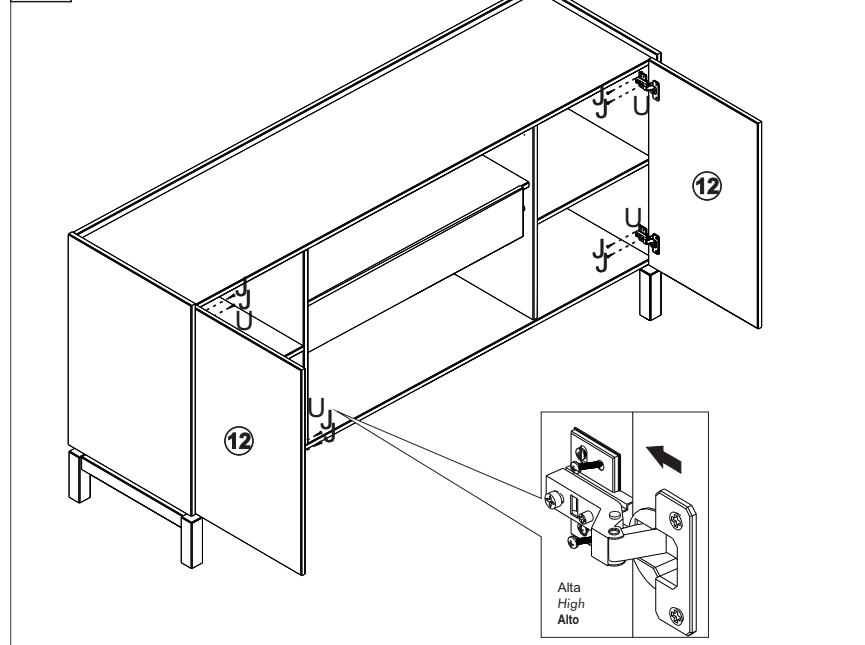
21



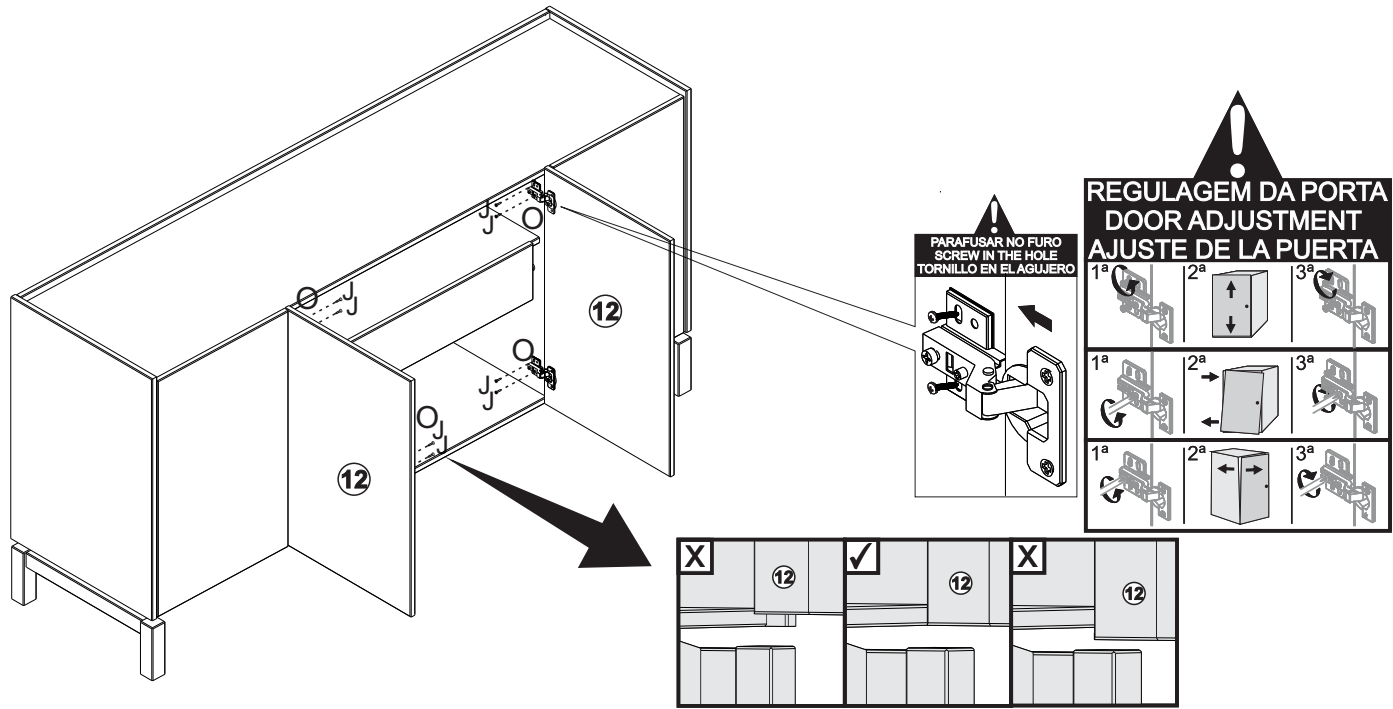
22



23



24



25

