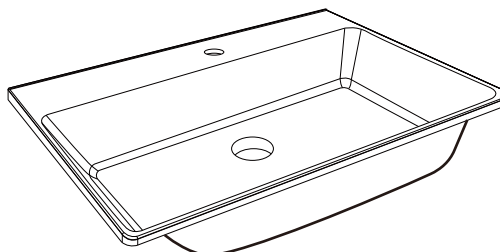
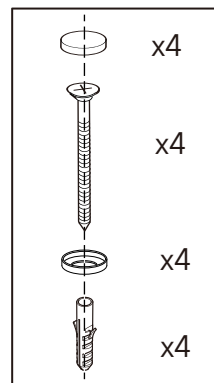
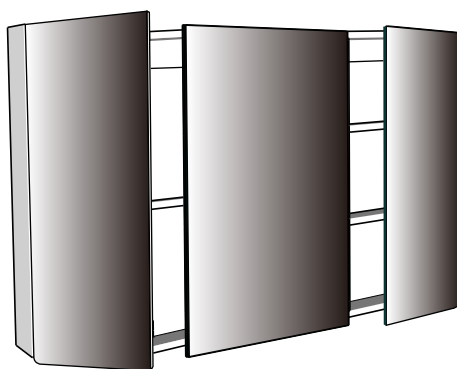
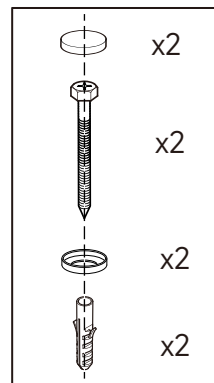
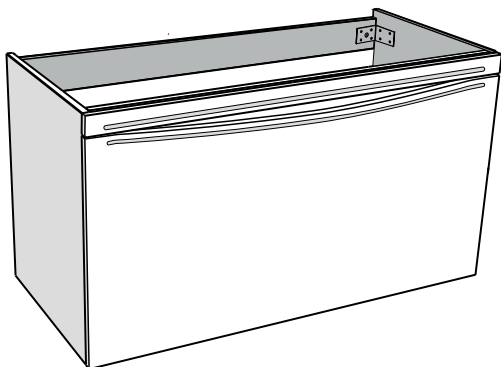
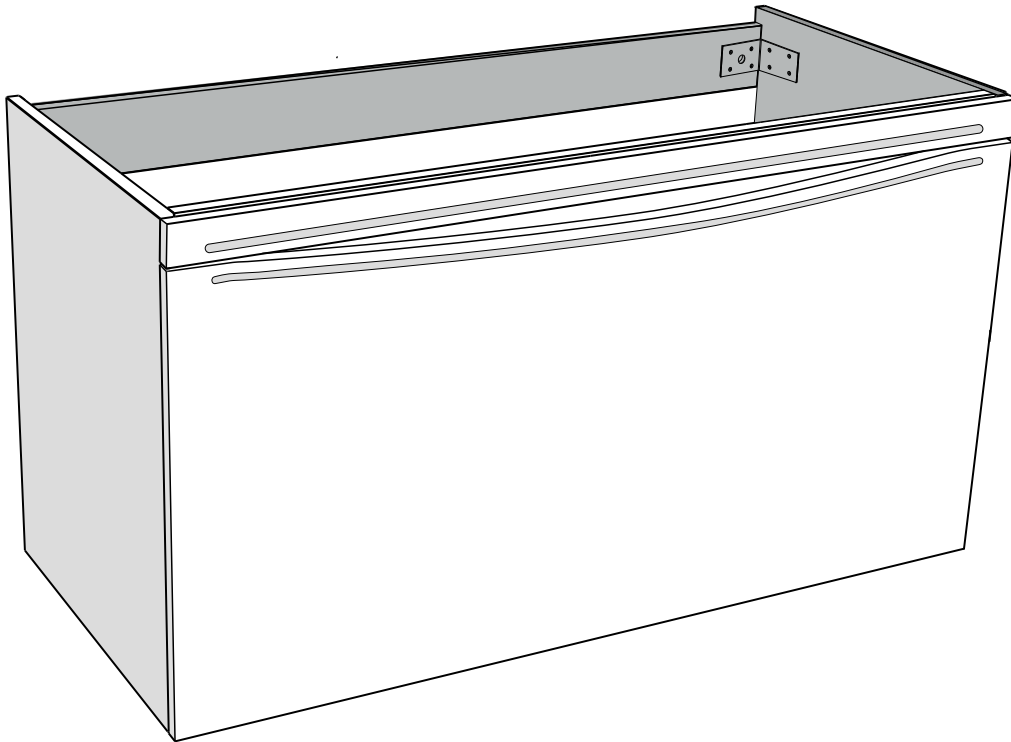


Basin cabinet-MUMUV612-AB6510 100CM



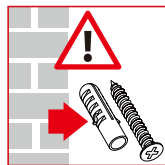
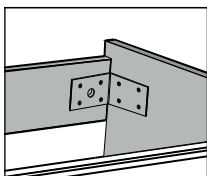
## Main cabinet -Installation guide

---



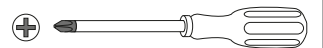
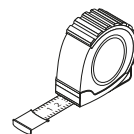
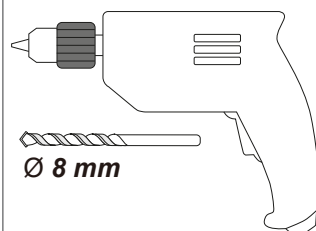
---

### Accessories

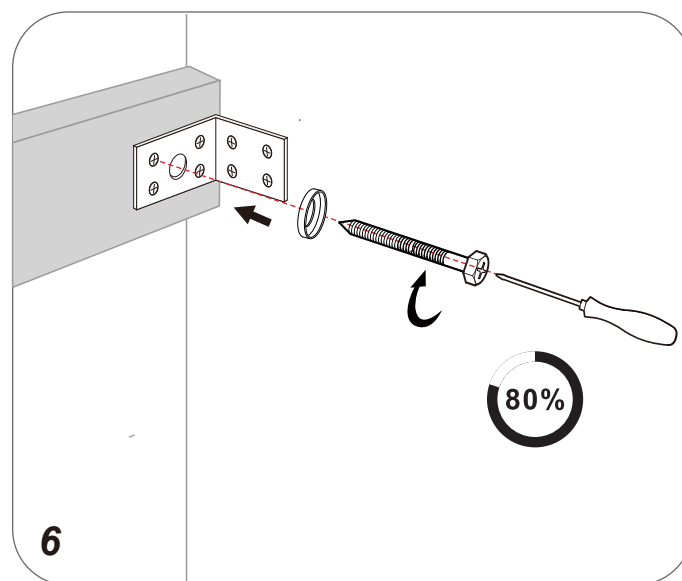
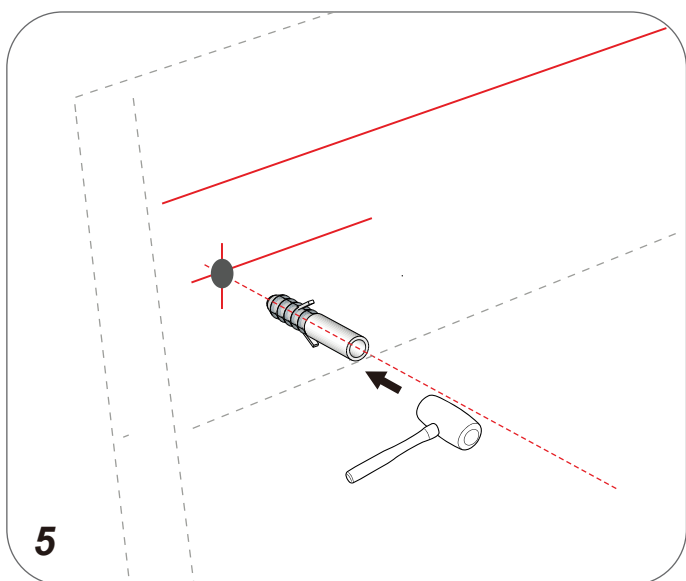
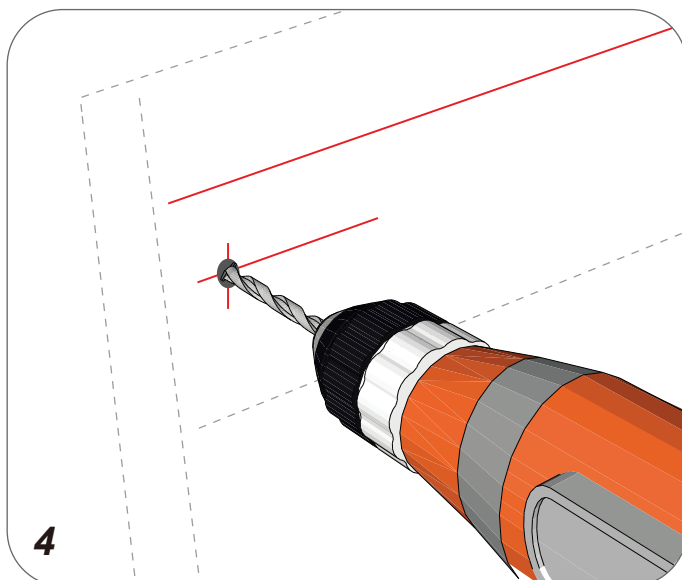
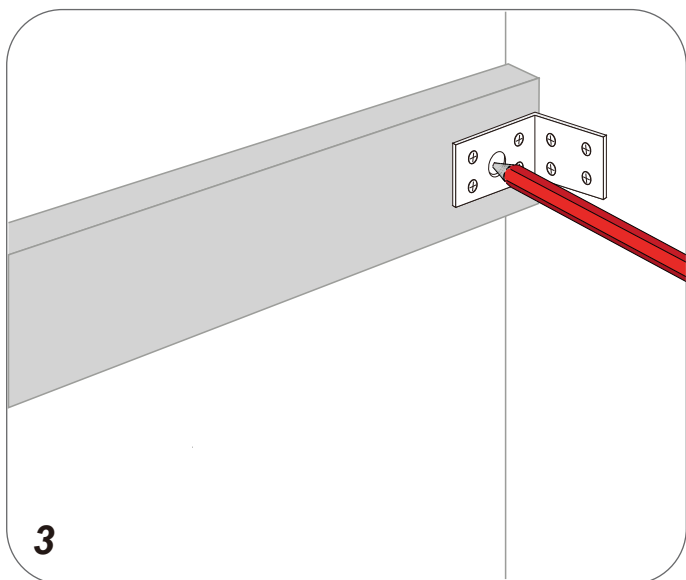
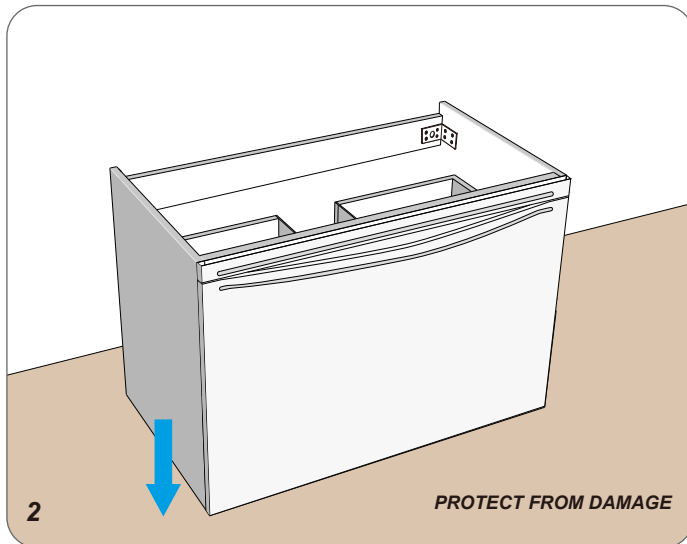
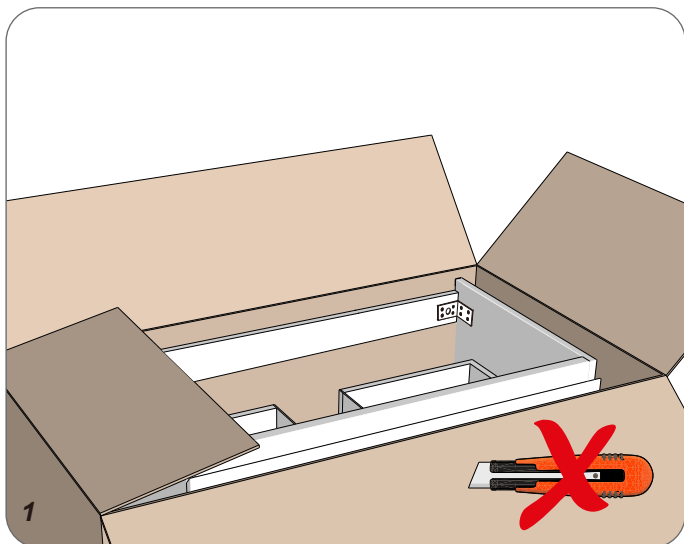


### Tools

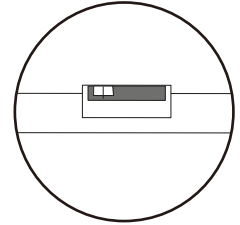
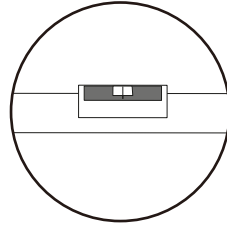
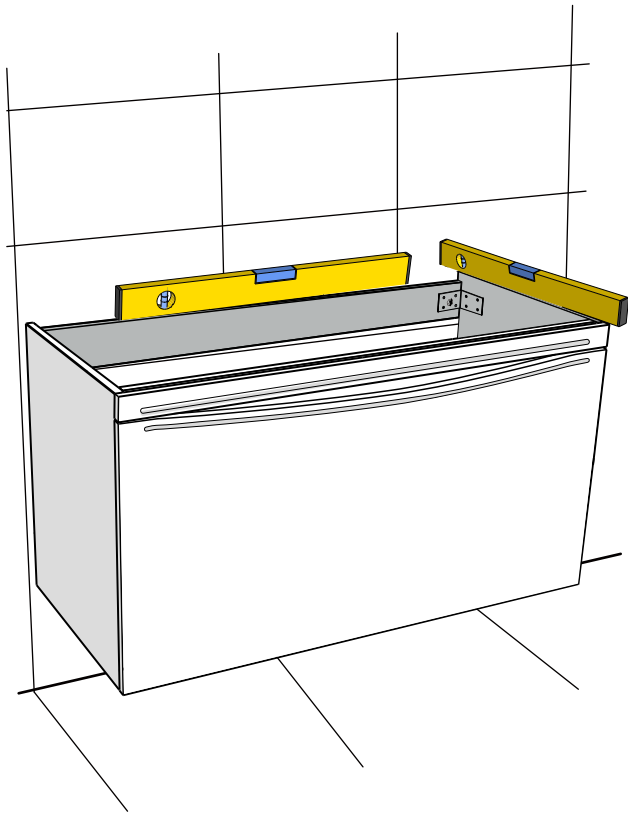
Not included



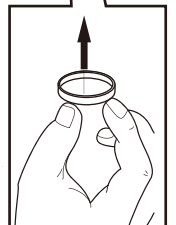
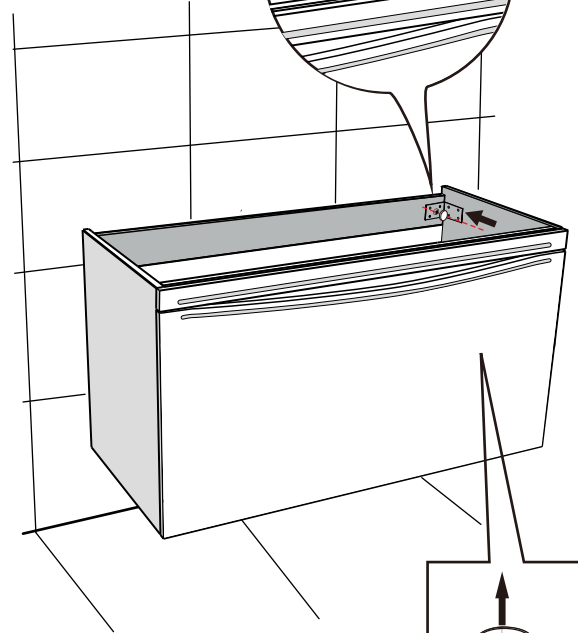
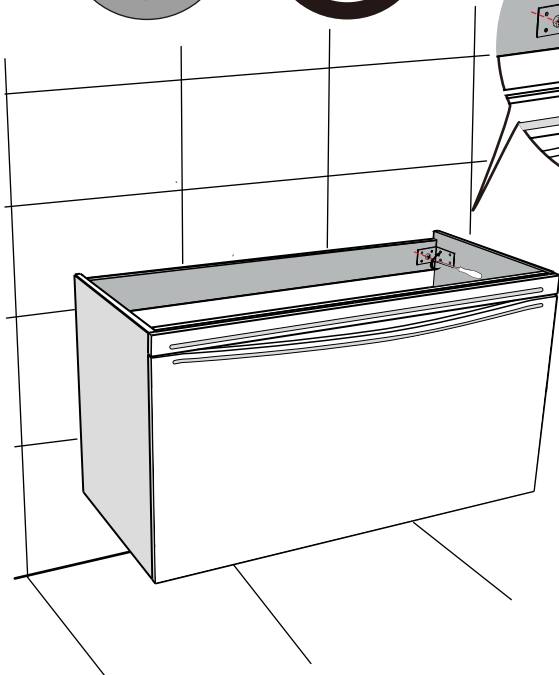
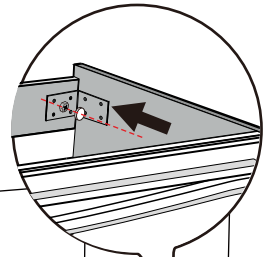
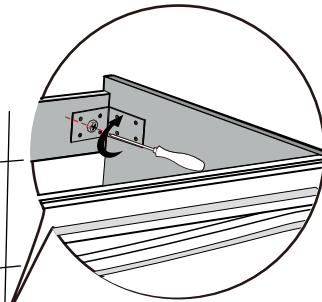
# Installation

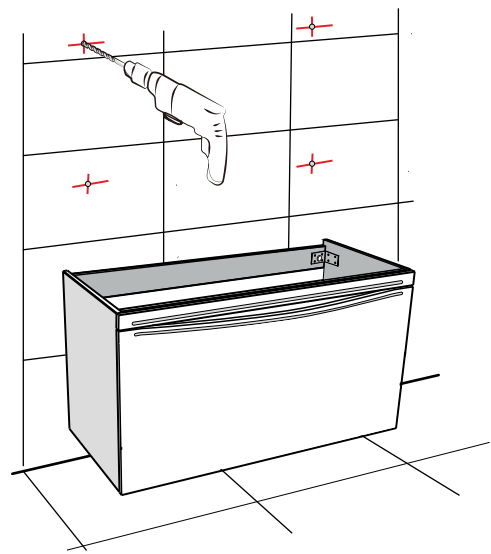
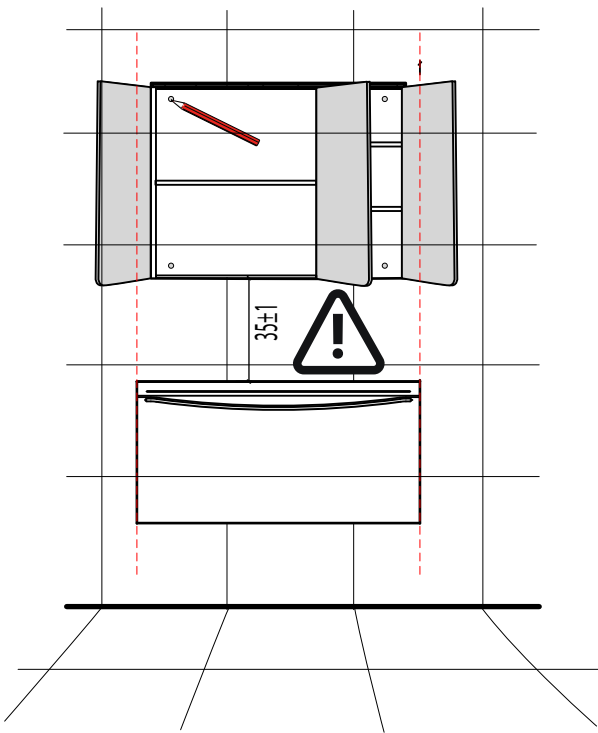
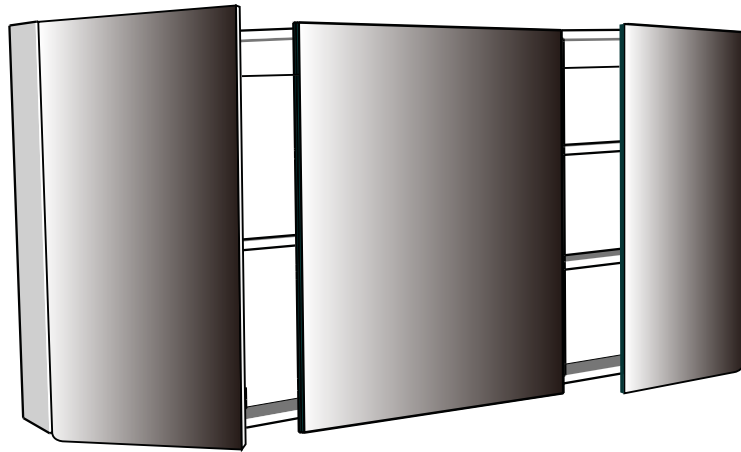


7



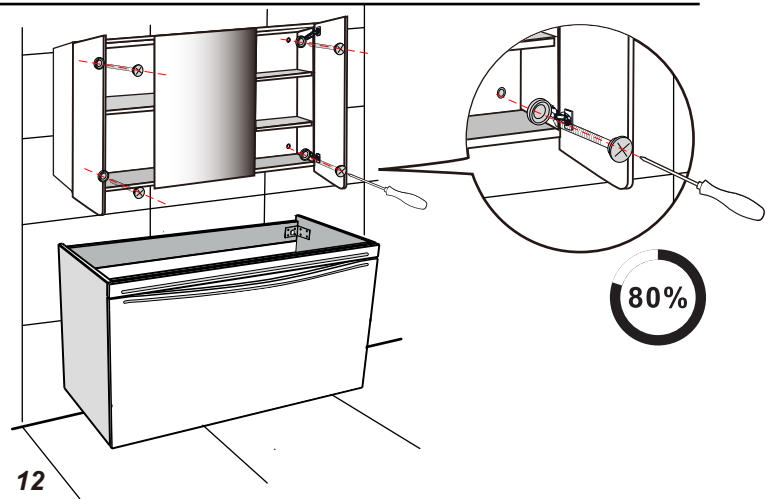
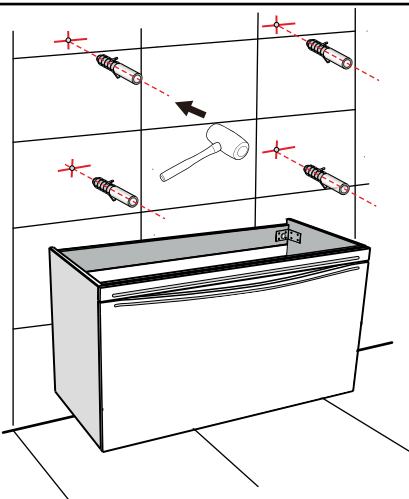
8





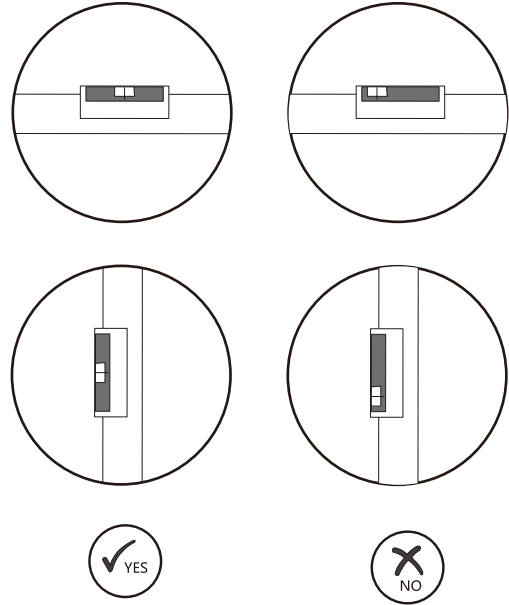
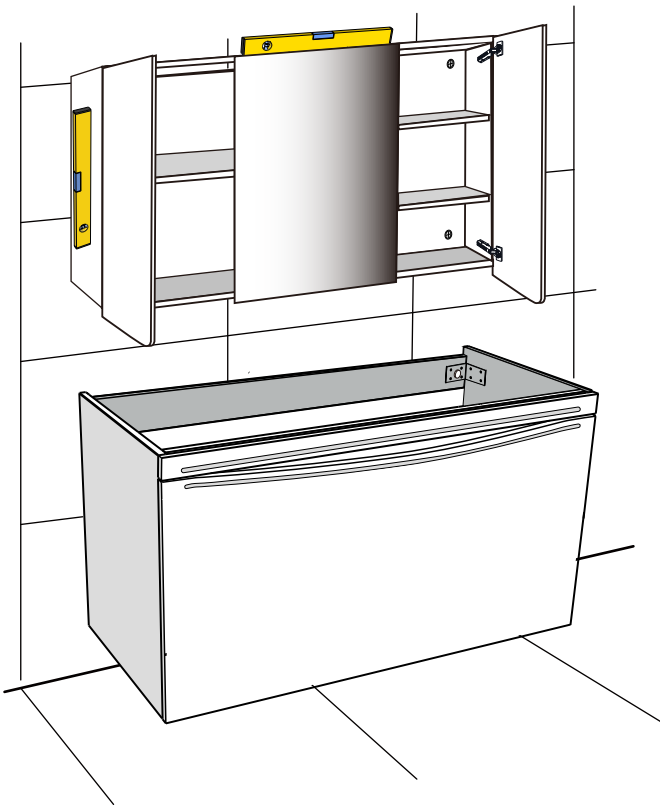
9

10

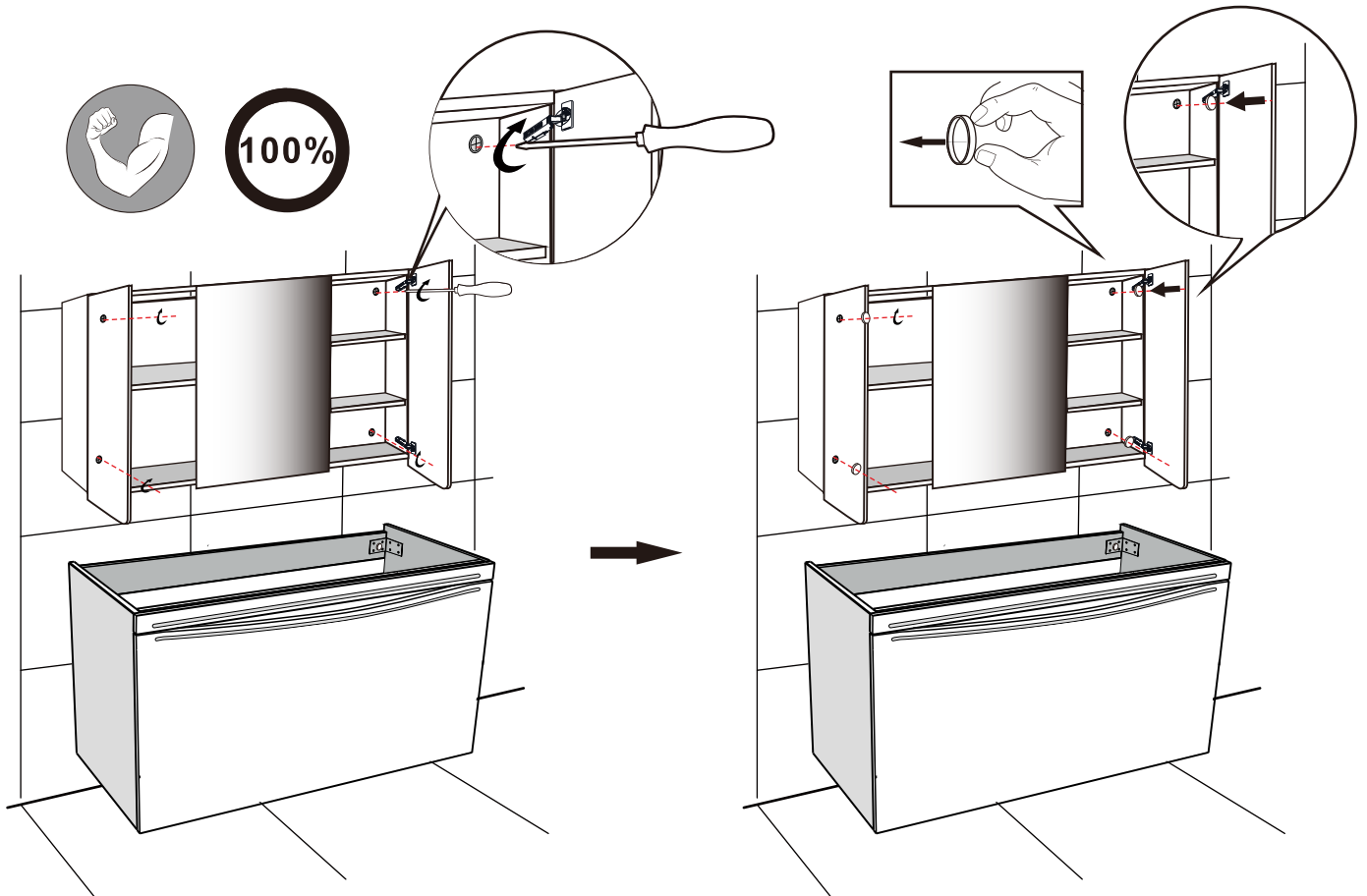


11

12



13



14

# Basin -Installation guide

