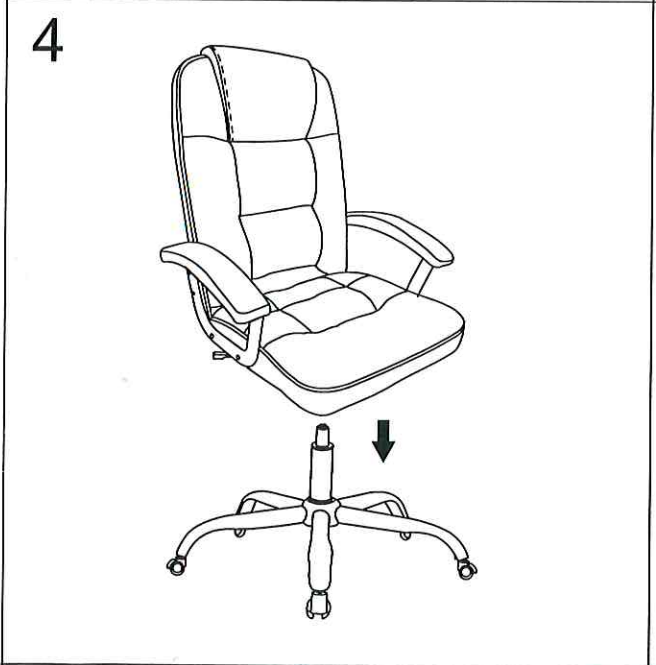
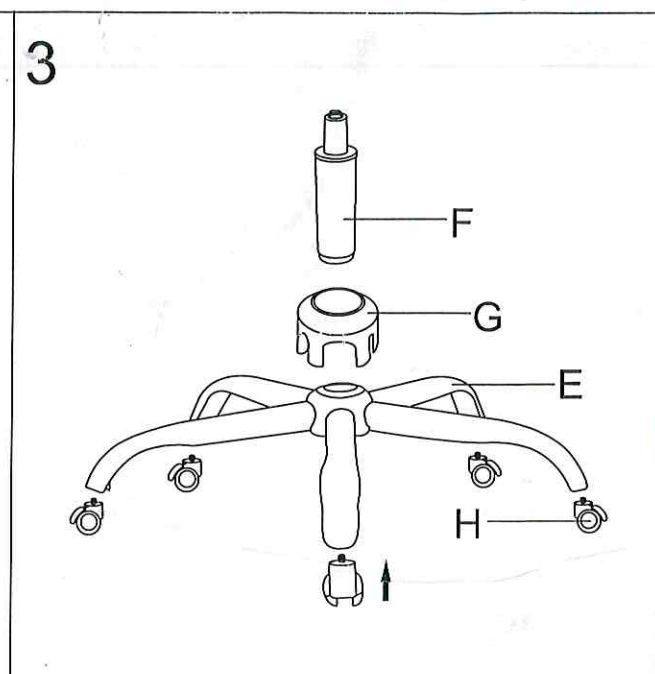
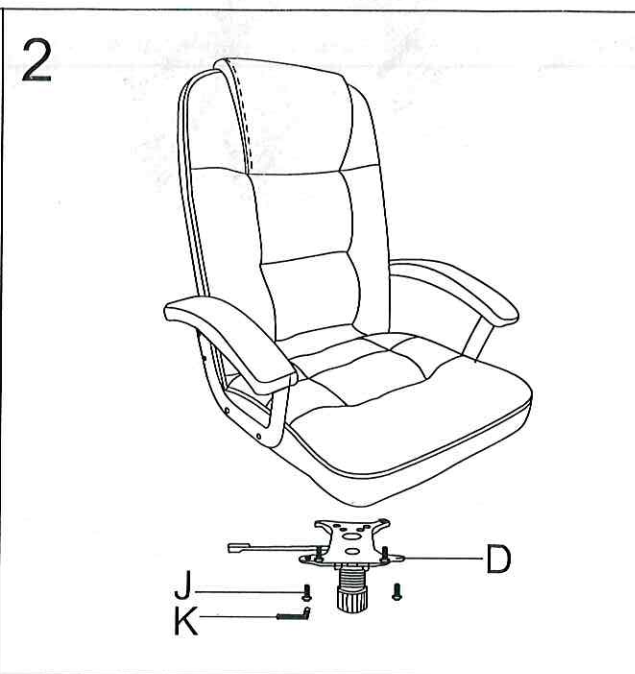
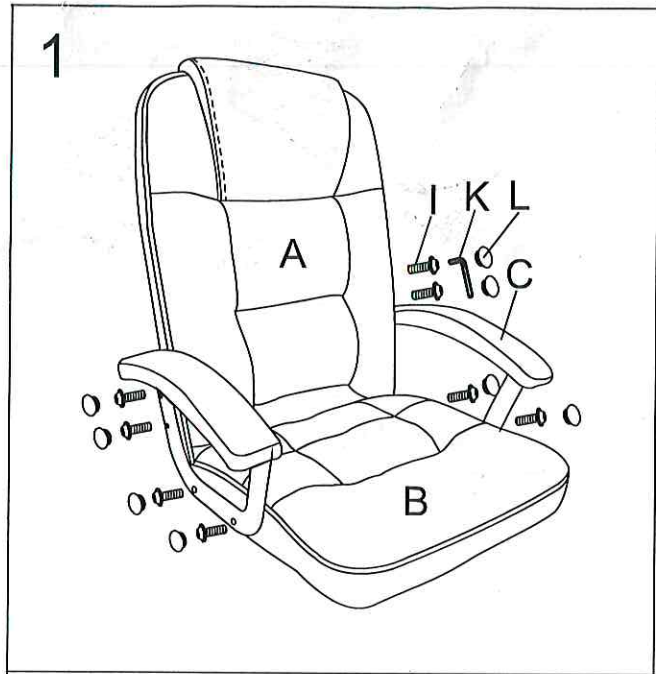


ASSEMBLY INSTRUCTION FOR WALTZ 616



A		1	H		5
B		1	I		8
C		2	J		4
D		1	K		1
E		1	L		8
F		1			
G		1			