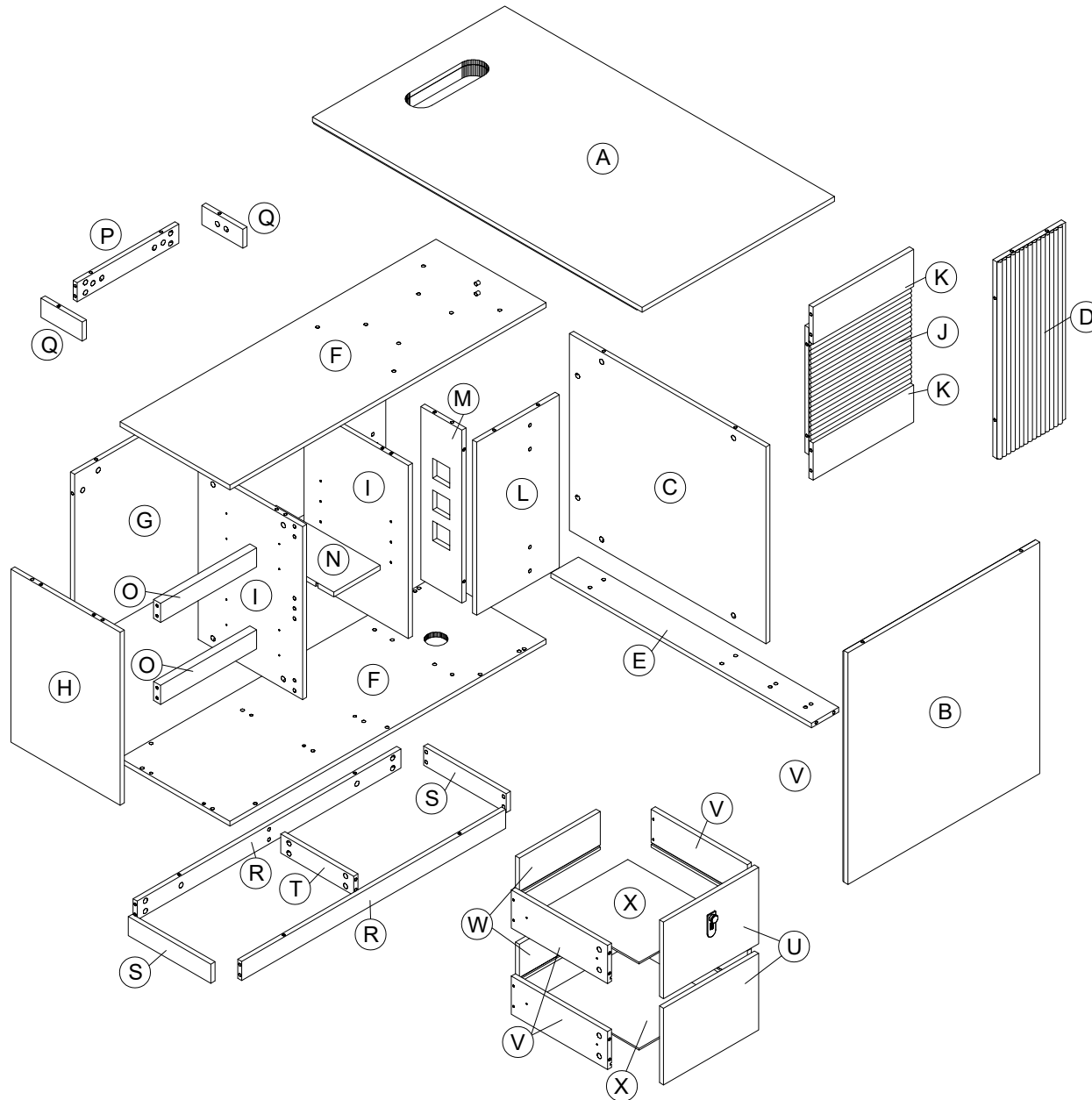


# ASSEMBLY INSTRUCTION



No	Dimension (mm)			Qty
Panel A	1200	700	50	1
Panel B	730	698	50	1
Panel C	713	618	15	1
Panel D	618	248	15	1
Panel E	946	98	15	1
Panel F	1148	398	15	1
Panel G	1131	543	15	1
Panel H	543	396	15	1
Panel I	543	378	15	2
Panel J	398	364	15	1
Panel K	364	115	15	2
Panel L	543	298	15	1
Panel M	543	148	15	1
Panel N	167	376	15	1
Panel O	348	58	25	2
Panel P	368	58	15	1
Panel Q	148	58	15	2
Panel R	958	58	15	2
Panel S	298	58	15	2
Panel T	264	58	15	1
Panel U	344	239.5	15	2
Panel V	348	118	15	4
Panel W	292	118	15	2
Panel X	304	345	5	2

Parts list(left)

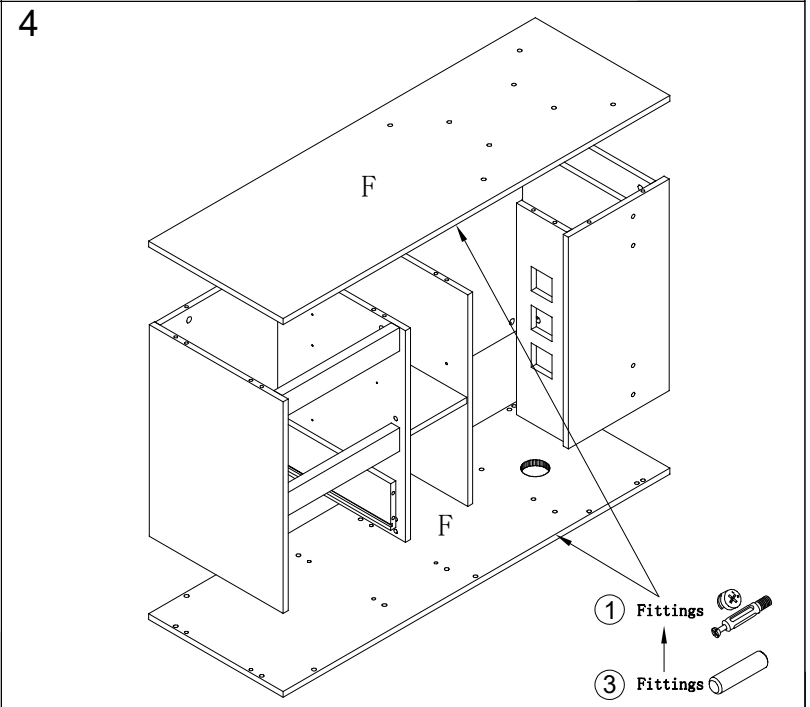
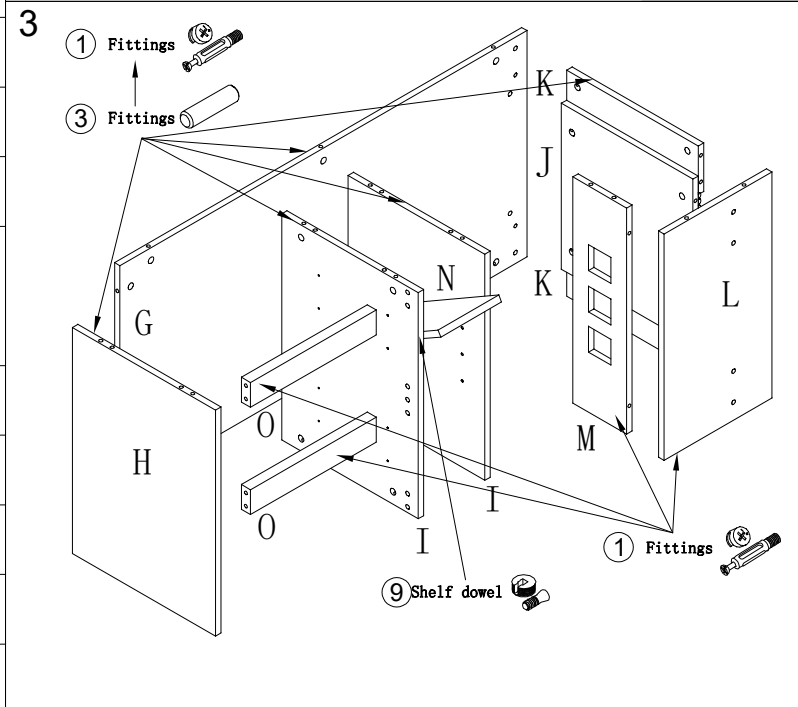
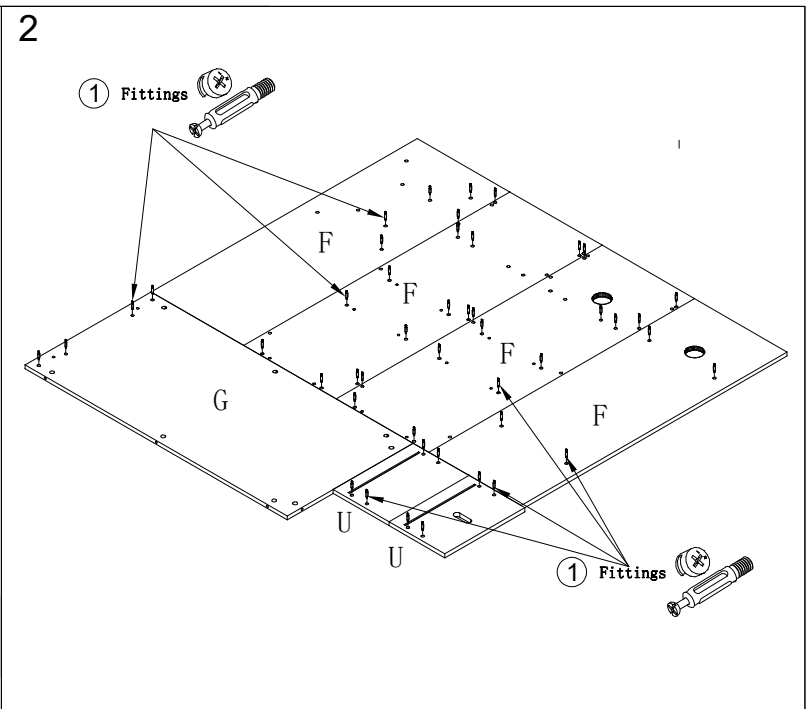
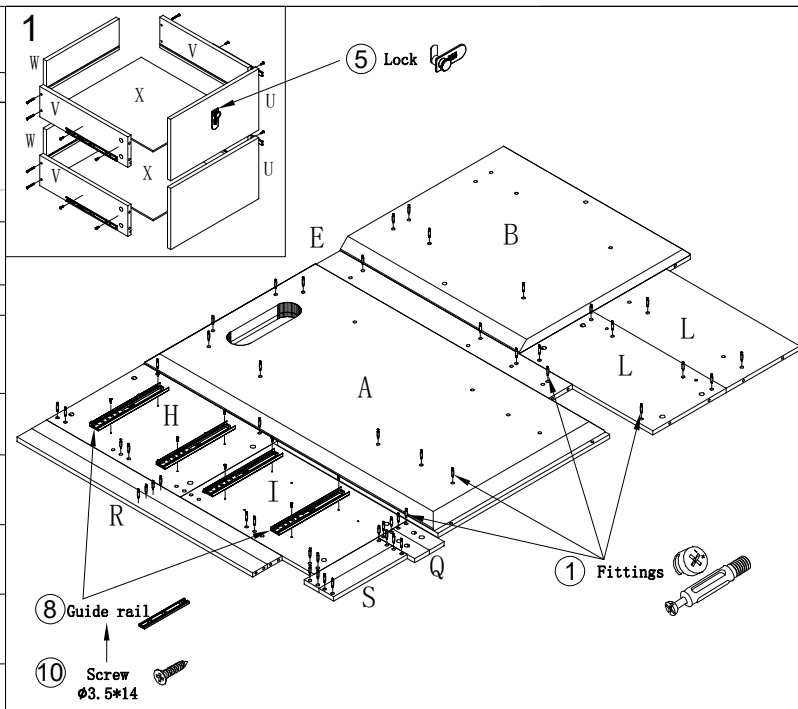
Unit: mm



Difículdade | Difícultad | Difficulty



NO	Name	Size	Qty	Note
1	Fittings	Ø8*37/Ø12	96	
2	Cap		98	
3	Chip	30*8*8	18	
4	Plastic nut	Ø10*10	32	
5	Lock	75*29	1	
6	Locking Pieces		1	
7	Cap	Ø10	4	
8	Guide rail	14*35 3509	2	
9	Shelf dowel		4	
10	Screw	Ø3.5*14	40	
11	Screw	Ø3.5*35	8	
12	Wire case	Ø60	1	
13	Wire case	CHD03H	1	
14	Corner fitting	80*58*45	1	
15	Screw	Ø4*20	5	
16	Cover		2	



90 Minutos

Item: RD1120(L) 2/5

Spec: 1400\*1200\*750

Parts list(left)

Unit: mm

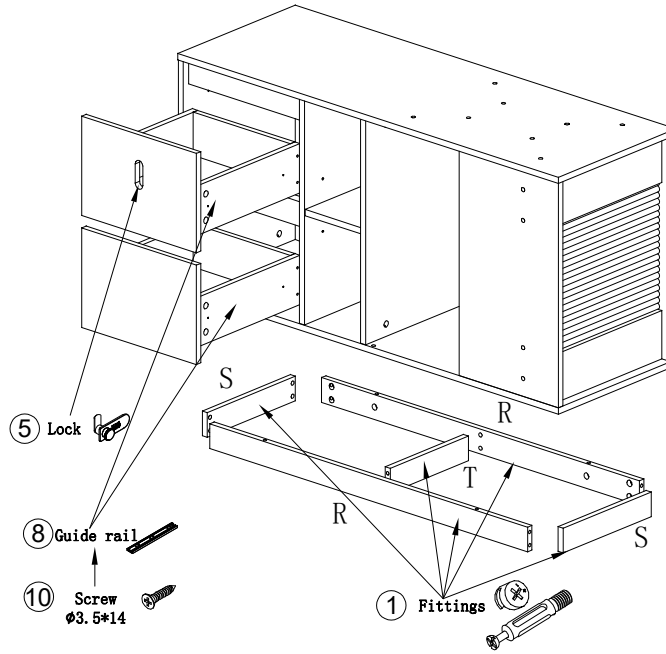


Diflculdade | Diflcultad | Diffculty

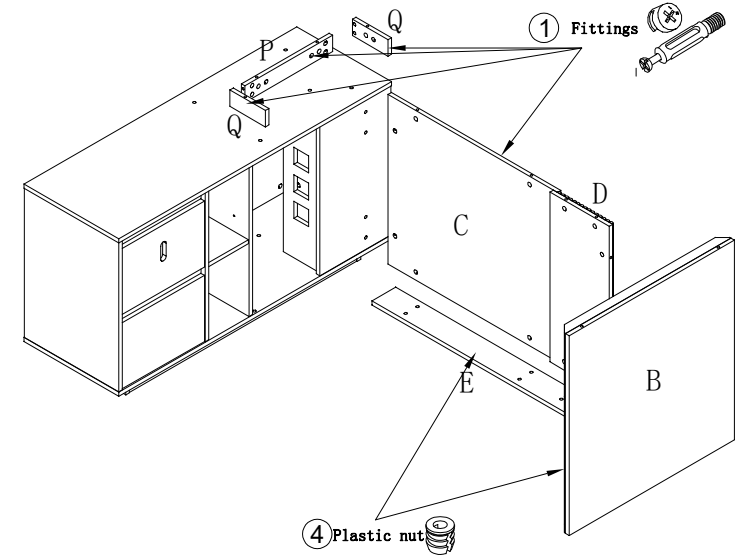


NO	Name	Size	Qty	Note
1	Fittings	∅8*37/∅12	96	
2	Cap		98	
3	Chip	30*8*8	18	
4	Plastic nut	∅10*10	32	
5	Lock	75*29	1	
6	Locking Pieces		1	
7	Cap	∅10	4	
8	Guide rail	14*35 3509	2	
9	Shelf dowel		4	
10	Screw	∅3.5*14	40	
11	Screw	∅3.5*35	8	
12	Wire case	∅60	1	
13	Wire case	CHD03H	1	
14	Corner fitting	80*58*45	1	
15	Screw	∅4*20	5	
16	Cover		2	

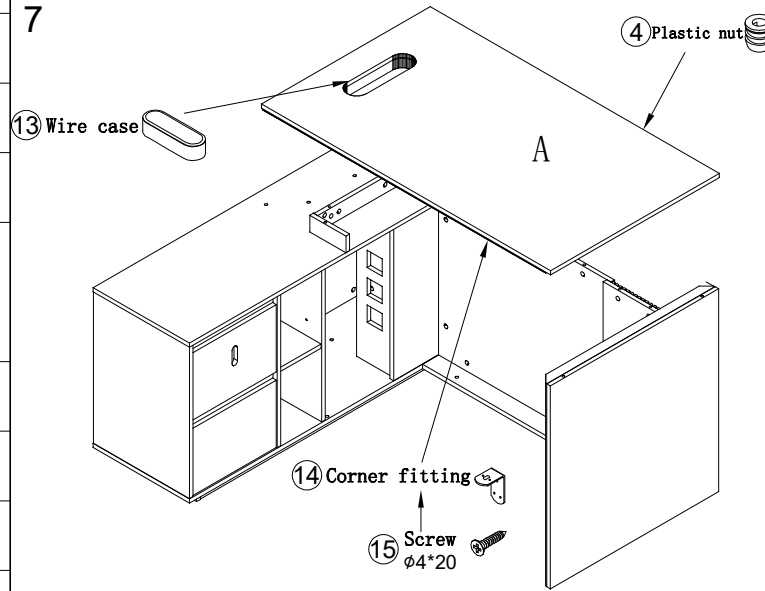
5



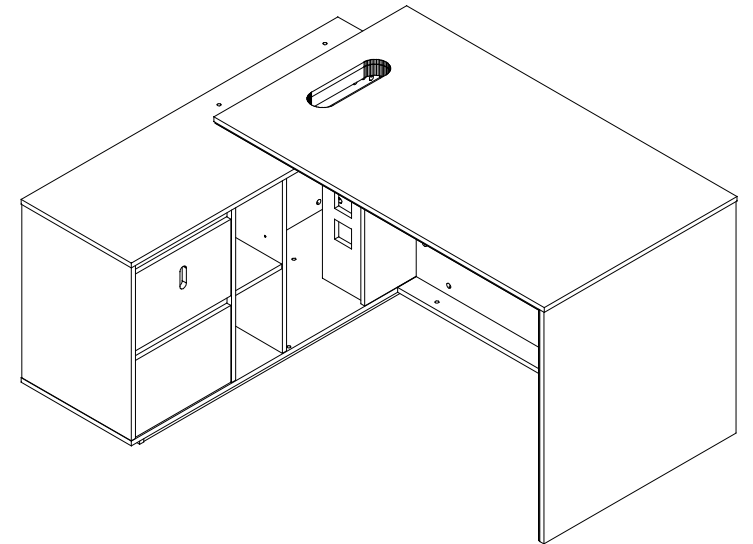
6



7



8



Assembly Instruction

90 Minutos

Item: RD1120(L) 3/5

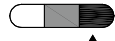
Spec: 1400\*1200\*750

Parts list(Right)

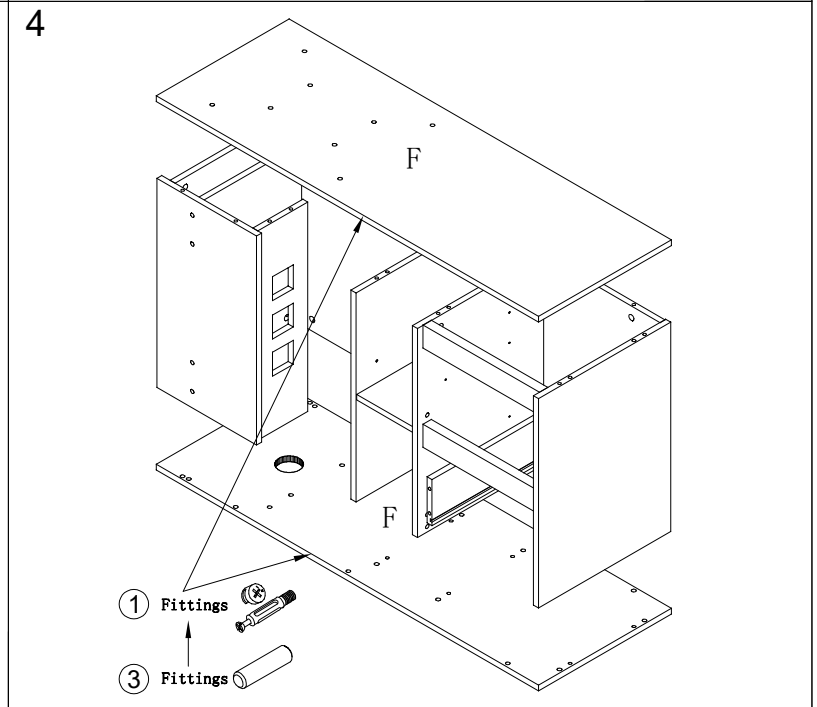
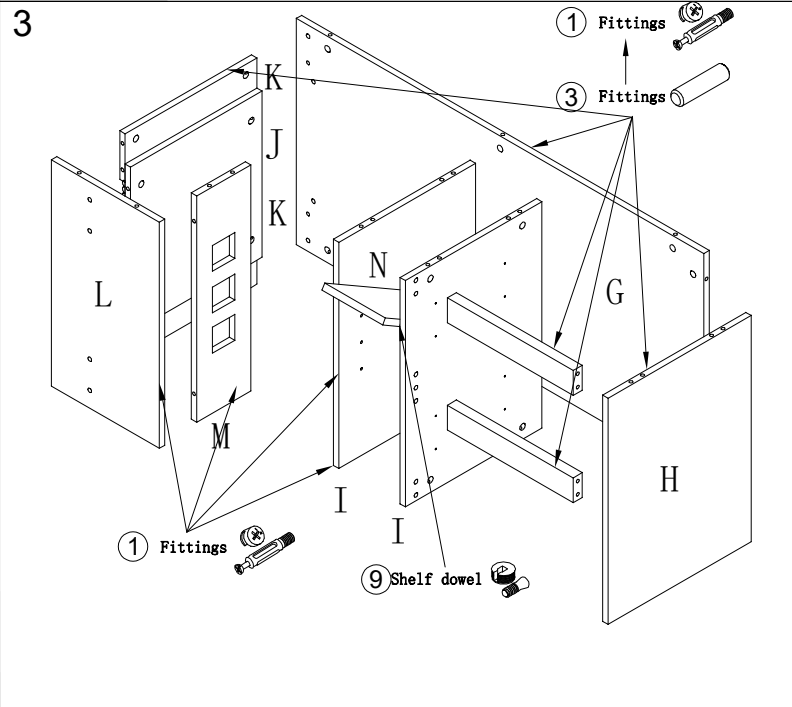
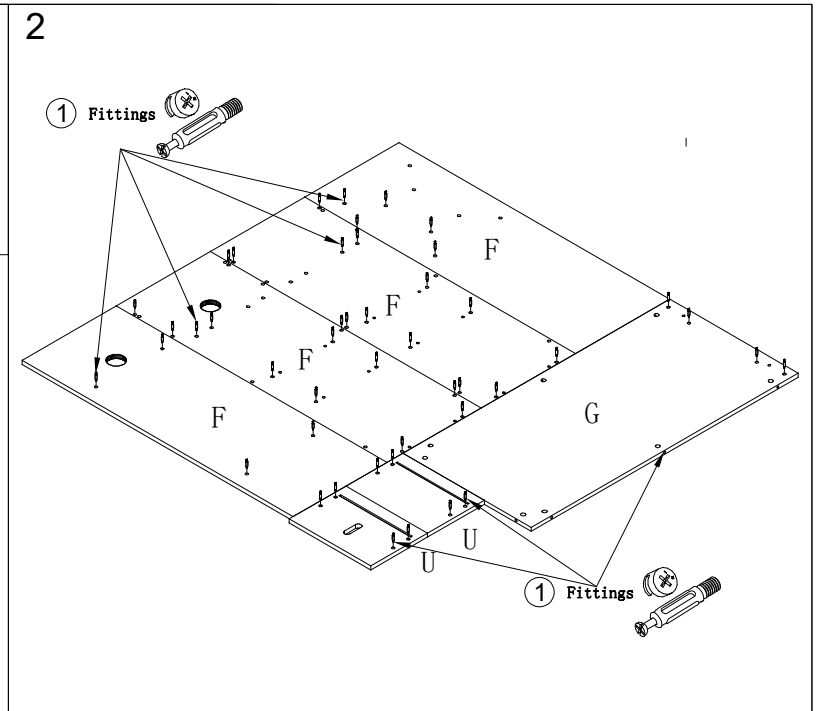
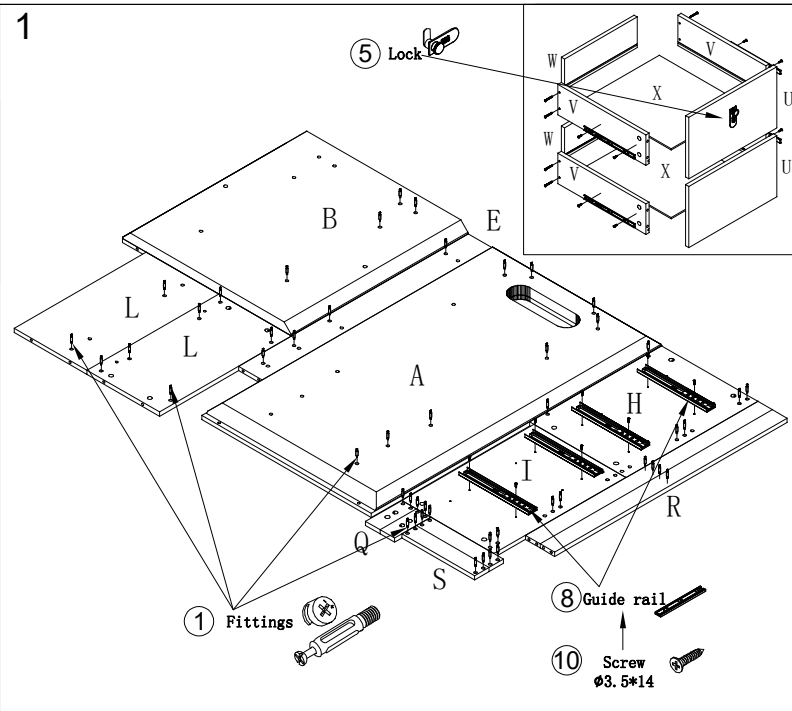
Unit: mm



Difículdade | Difcultad | Difficulty



NO	Name	Size	Qty	Note
1	Fittings	Ø8*37/Ø12	96	
2	Cap		98	
3	Chip	30*8*8	18	
4	Plastic nut	Ø10*10	32	
5	Lock	75*29	1	
6	Locking Pieces		1	
7	Cap	Ø10	4	
8	Guide rail	14*35 3509	2	
9	Shelf dowel		4	
10	Screw	Ø3.5*14	40	
11	Screw	Ø3.5*35	8	
12	Wire case	Ø60	1	
13	Wire case	CHD03H	1	
14	Corner fitting	80*58*45	1	
15	Screw	Ø4*20	5	
16	Cover		2	



90 Minutos

Item: RD1120(R) 4/5

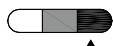
Spec: 1400\*1200\*750

# Parts list(Right)

Unit: mm

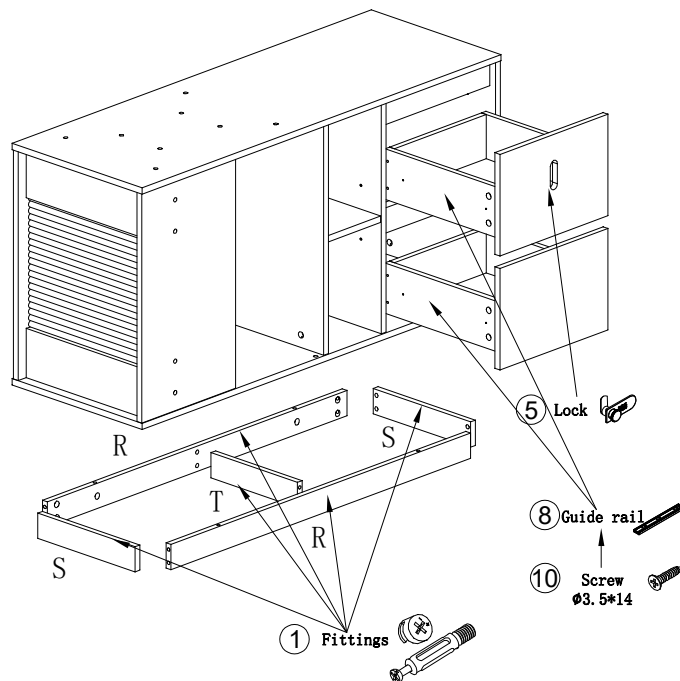


Diflculdade | Diflcultad | Diffulty

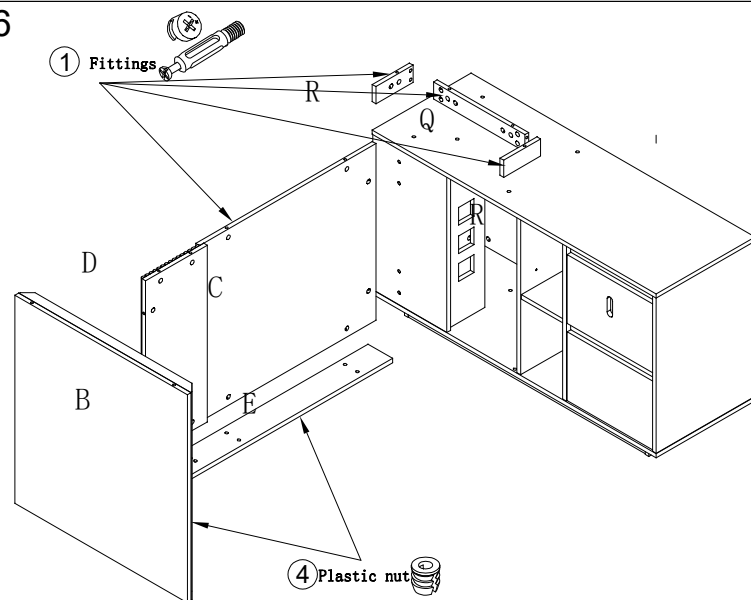


NO	Name	Size	Qty	Note
1	Fittings	Ø8*37/Ø12	96	
2	Cap		98	
3	Chip	30*8*8	18	
4	Plastic nut	Ø10*10	32	
5	Lock	75*29	1	
6	Locking Pieces		1	
7	Cap	Ø10	4	
8	Guide rail	14*35 3509	2	
9	Shelf dowel		4	
10	Screw	Ø3.5*14	40	
11	Screw	Ø3.5*35	8	
12	Wire case	Ø60	1	
13	Wire case	CHD03H	1	
14	Corner fitting	80*58*45	1	
15	Screw	Ø4*20	5	
16	Cover		2	

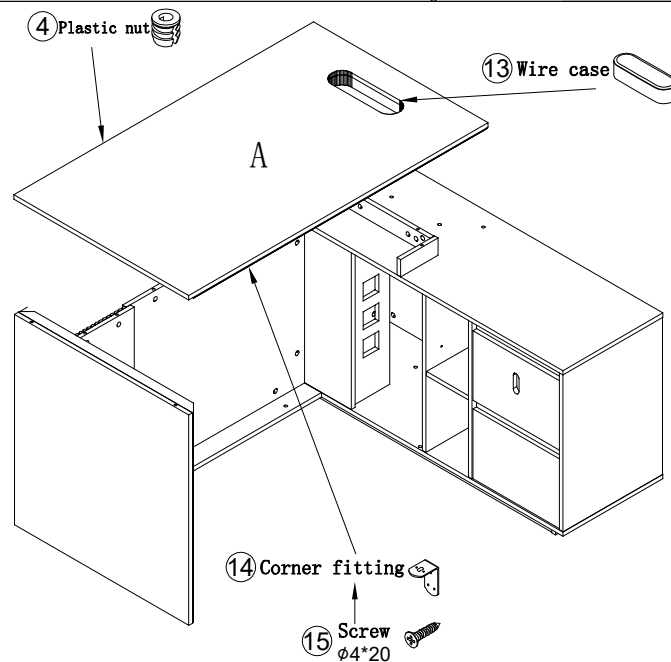
5



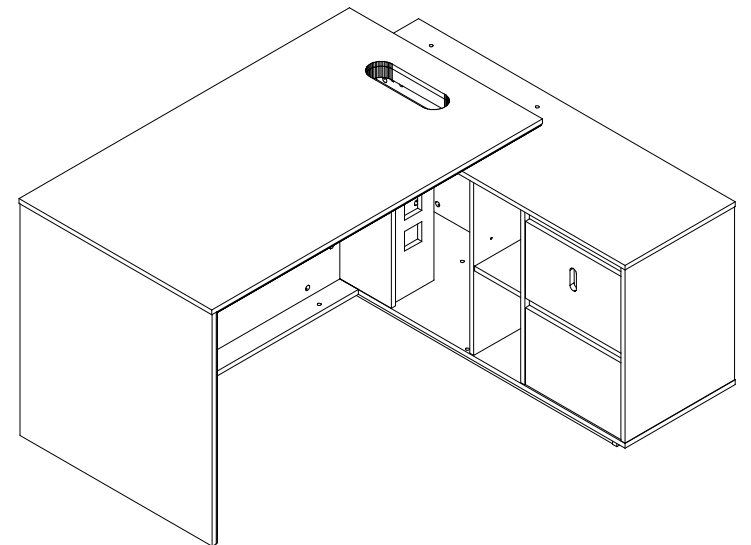
6



7



8



Assembly Instruction

90 Minutos

Item: RD1120 (R) 5/5

Spec: 1400\*1200\*750