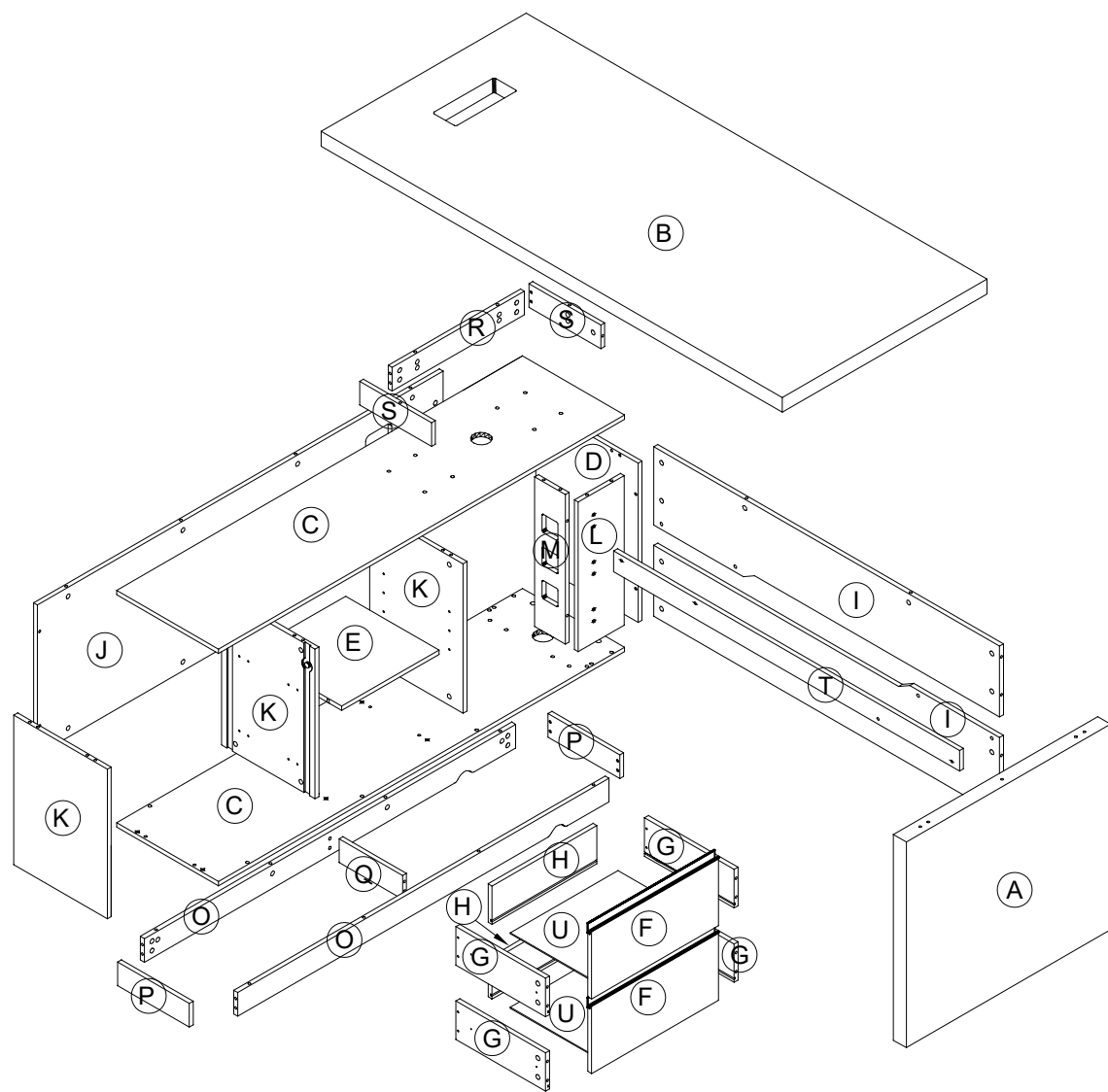


ASSEMBLY INSTRUCTION



NO.	Dimension (mm)			Qty
Panel A	693	795	50	1
Panel B	1797	797	50	1
Panel C	1583	396	15	2
Panel D	398	536	15	1
Panel E	378	363	15	1
Panel F	494	225	15	2
Panel G	128	348	15	4
Panel H	128	408	15	2
Panel I	1348	263	15	2
Panel J	1582	504	15	1
Panel K	504	364	15	3
Panel L	504	178	15	1
Panel M	504	118	15	1
Panel O	1448	78	15	2
Panel P	278	78	15	2
Panel Q	246	78	15	1
Panel R	515	78	15	1
Panel S	278	78	15	2
Panel T	1348	68	15	1
Panel U	345	420	5	2

Parts list

Units: mm

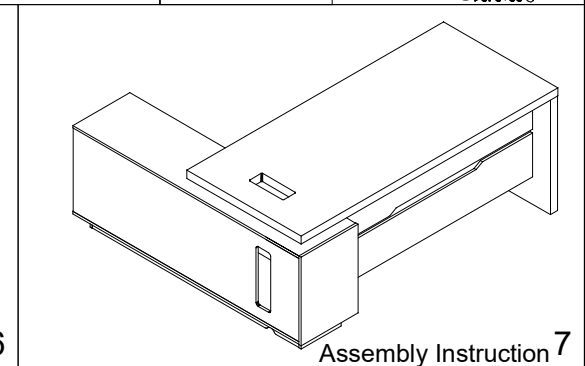
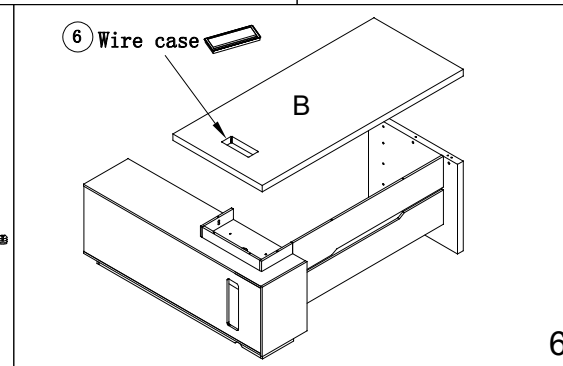
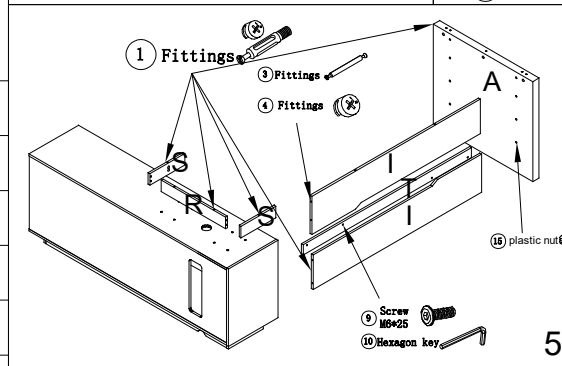
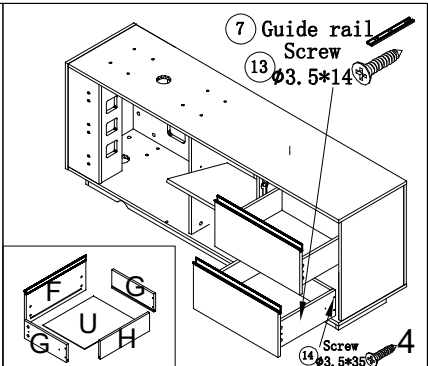
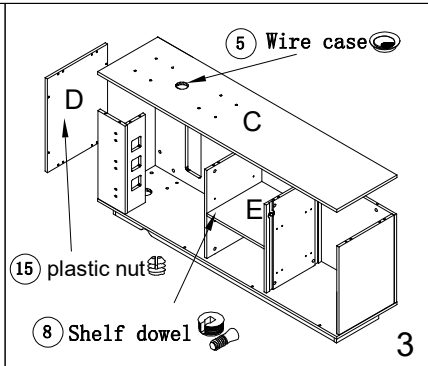
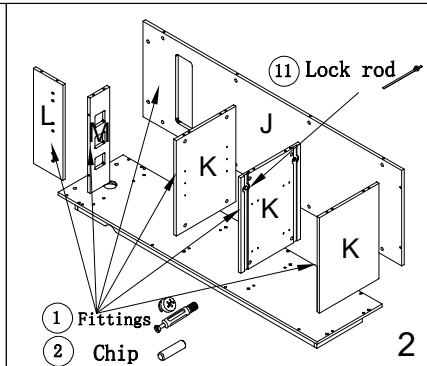
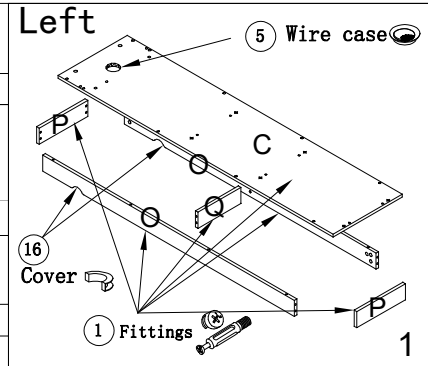


Difícilidade | Difícultad | Difficulty

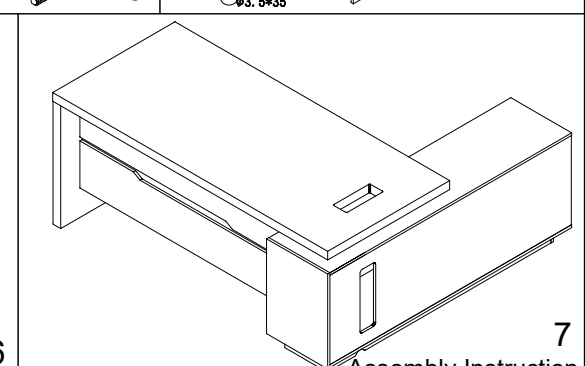
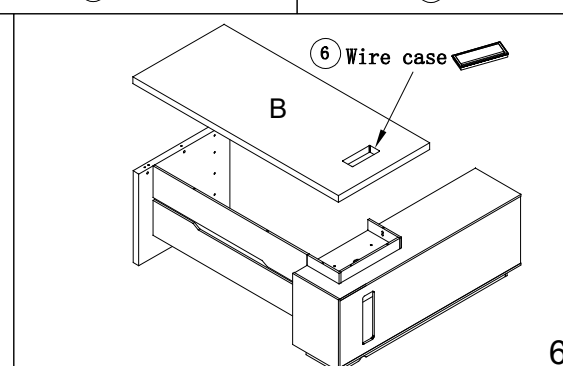
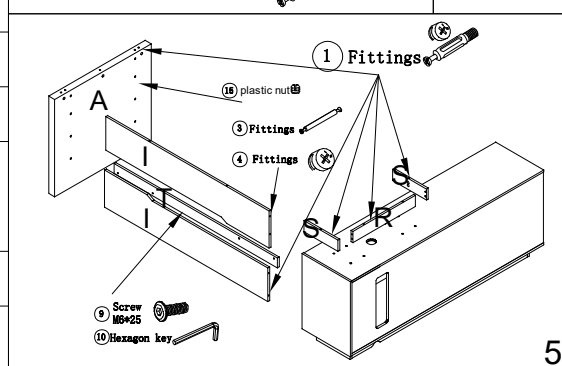
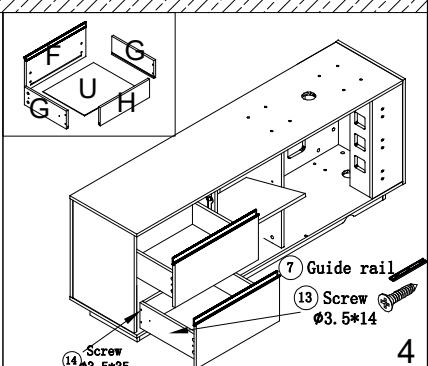
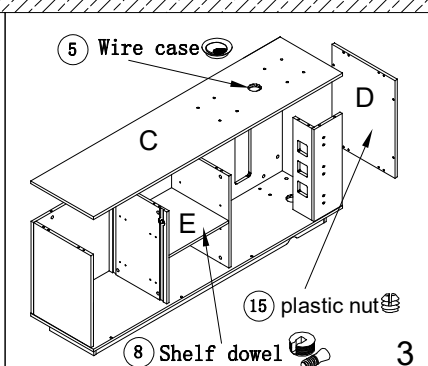
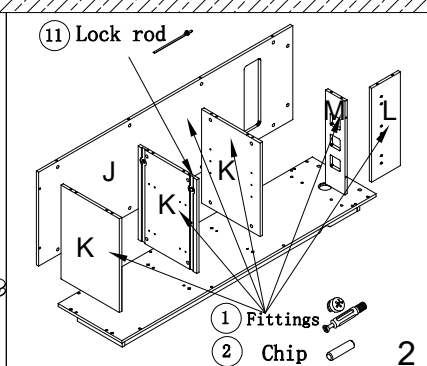
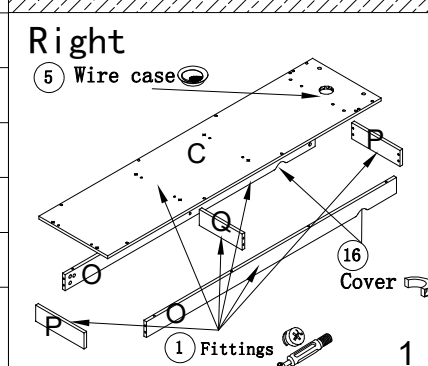


NO	Name	Size	Qty	Note
1	Fittings	15*15*11	92	
		35*8*8		
2	Chip	30*8*8	16	
3	Fittings	∅6*60	1	
4	Fittings	∅15*11	2	
5	Wire case	∅60	2	
6	Wire case	254*108*27	1	
7	Guide rail	14"*35	2	
8	Shelf dowel		4	
9	Screw	M6*25	4	
10	Hexagon key	4#	1	
11	Lock rod	∅17*19 (L=500)	1	
12	Locking pieces	/	2	
13	Screw	∅3.5*14	40	
14		∅3.5*35	8	
15	plastic nut	∅10*10	35	
16	Cover		2	
17	Cap		7	
18			24	

Left



Right



90 Minutos

Item No:RD1123 2/2

Spec:1800*1600*750