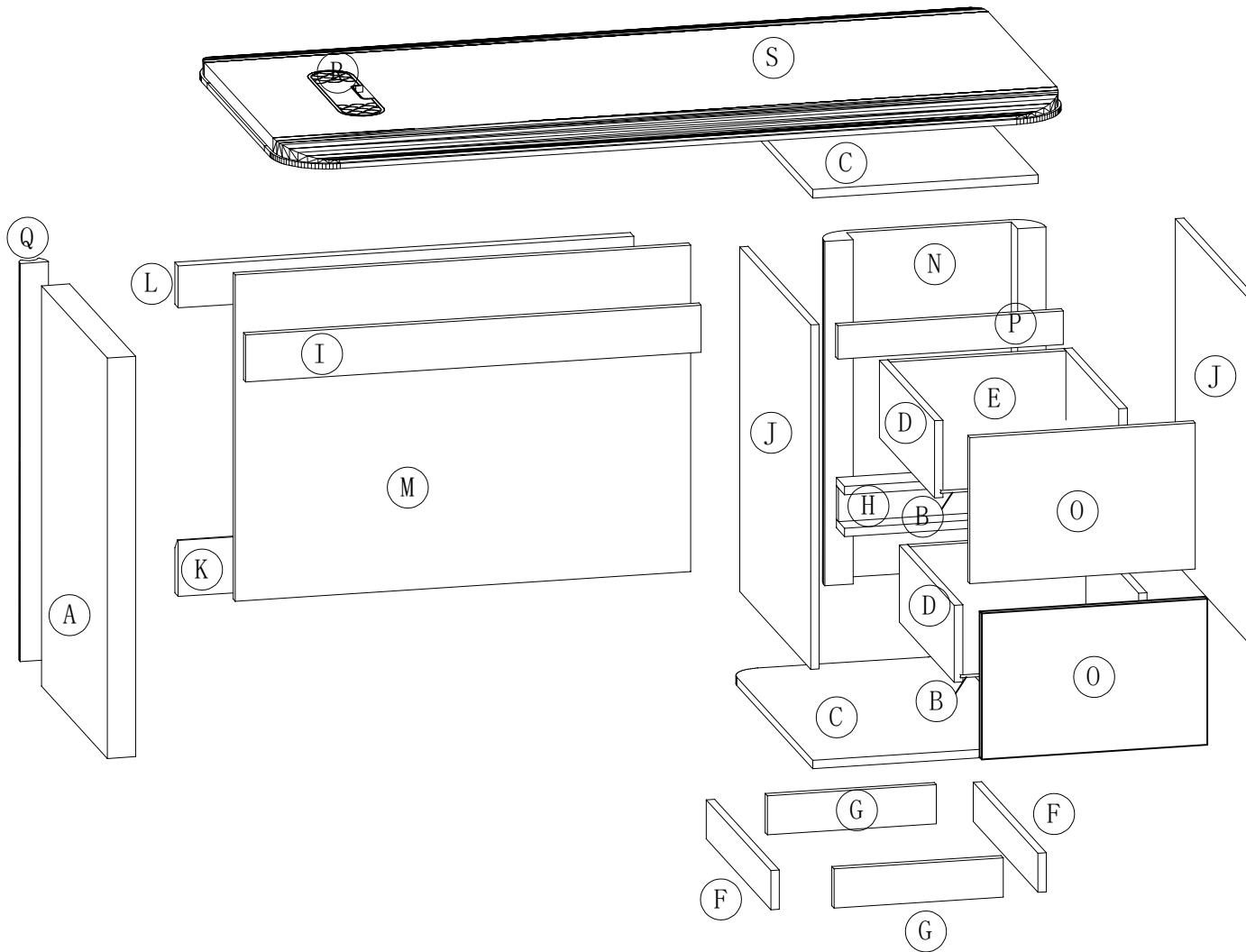


ASSEMBLY INSTRUCTION



NO.	Dimension (mm)			Qty
Panel A	734	498	5	2
Panel B	322	395	5	2
Panel C	598	398	15	2
Panel D	398	136	15	4
Panel E	310	136	15	2
Panel F	298	68	15	2
Panel G	468	68	15	2
Panel H	366	58	15	3
Panel I	806	82	15	1
Panel J	614	515	15	2
Panel K	806	98	25	1
Panel L	806	73	25	1
Panel M	806	582	15	1
Panel N	616	392	15	1
Panel O	398	259	15	2
Panel P	398	58	15	1
Panel Q	712	50	30	1
Panel R	300	80	12	1
Panel S	1400	700	34	1

