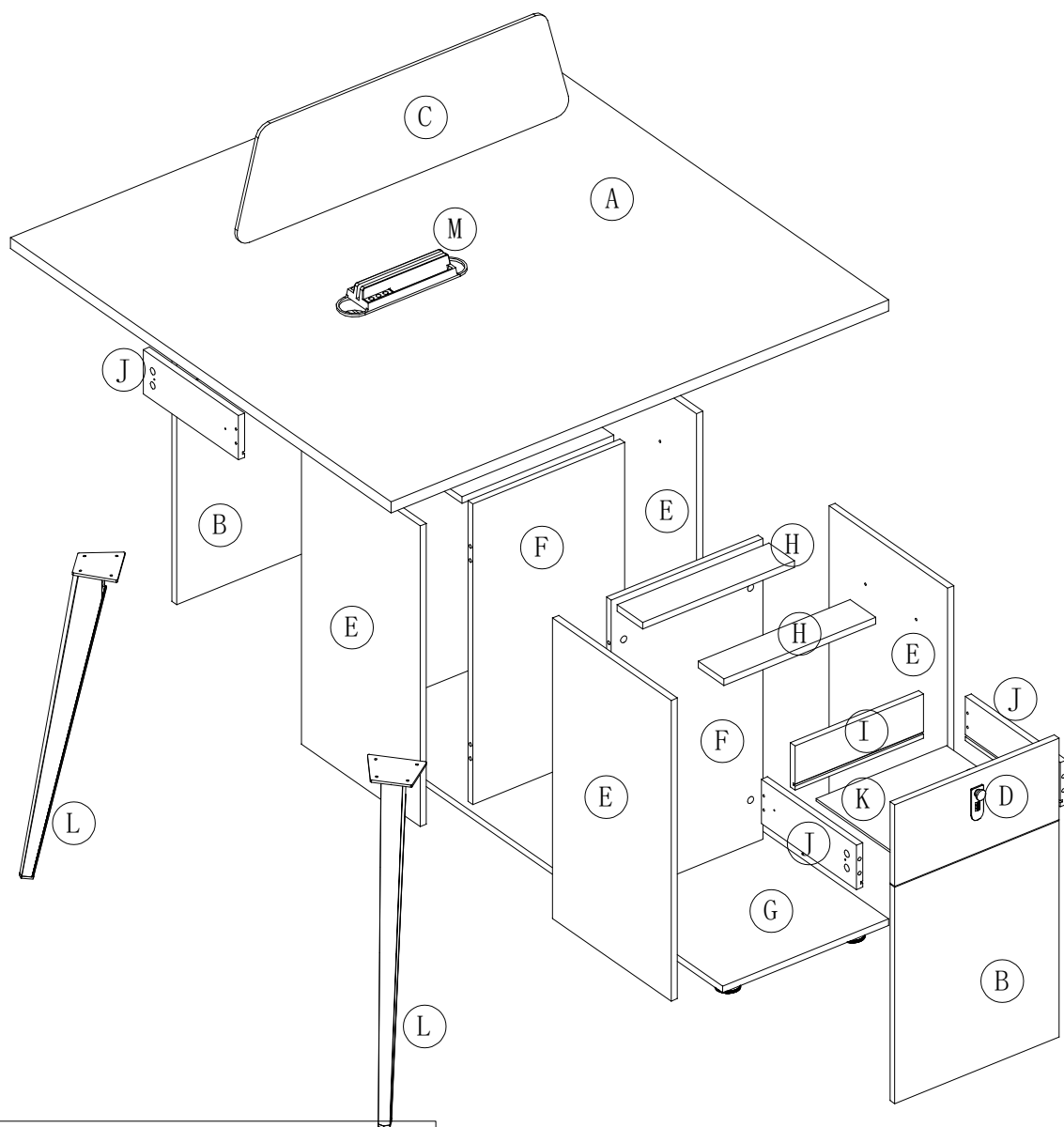


ASSEMBLY INSTRUCTION



NO.	Dimension (mm)			Qty
Panel A	1197	1197	25	2
Panel B	394	512	15	4
Panel C	798	248	9	2
Panel D	394	158	15	4
Panel E	678	372	15	8
Panel F	678	364	15	4
Panel G	1194	398	15	2
Panel H	364	78	15	8
Panel I	308	98	15	4
Panel J	348	98	15	8
Panel K	319	344	5	4
Panel L	725			2
Panel M				1

Parts list

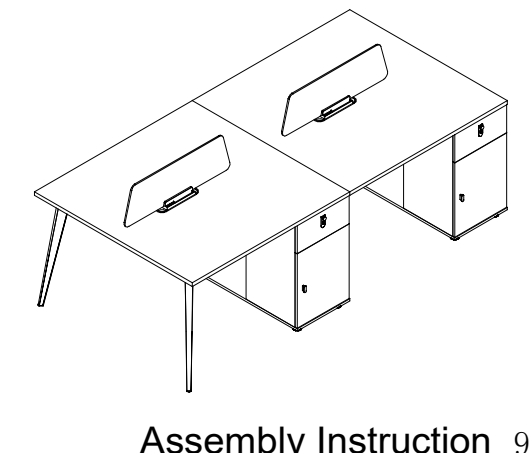
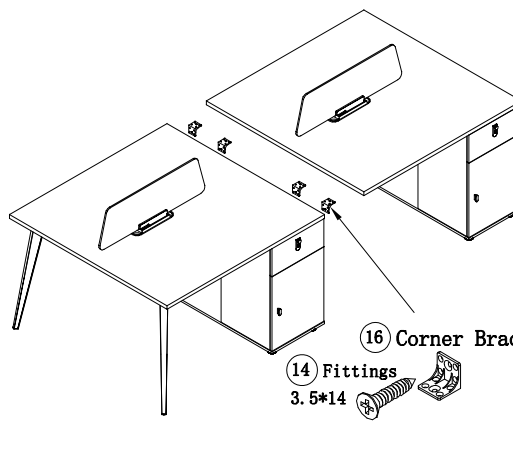
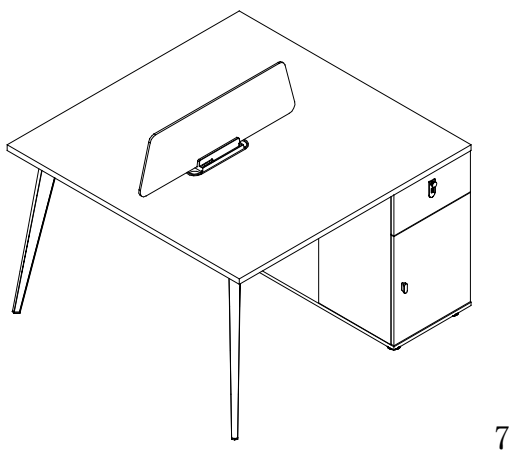
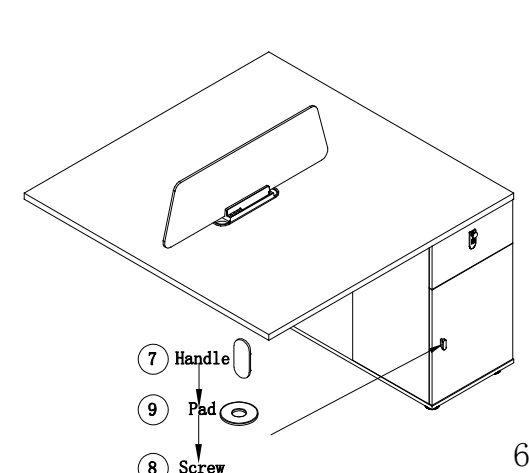
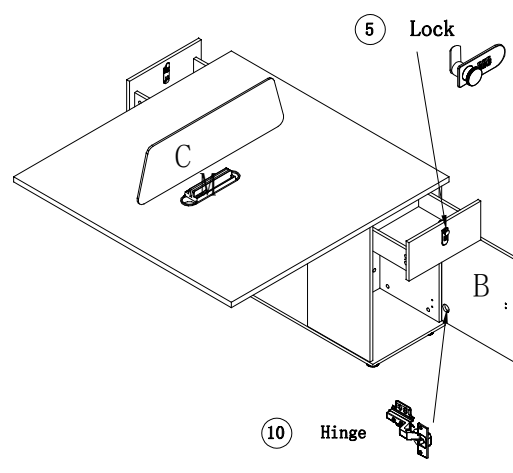
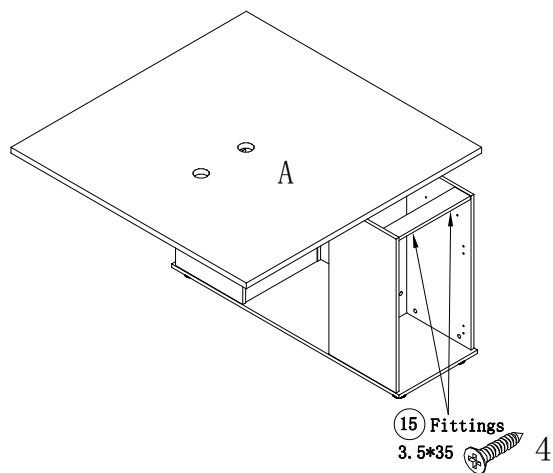
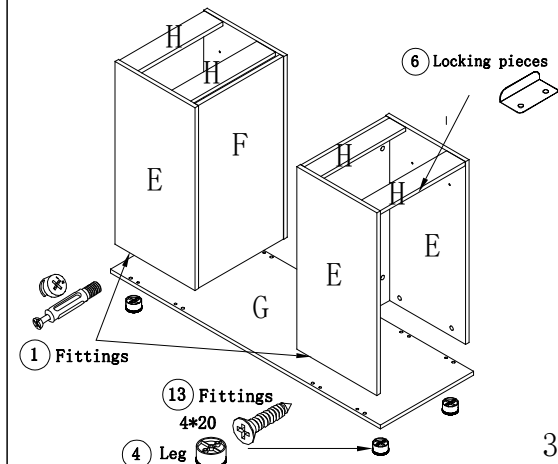
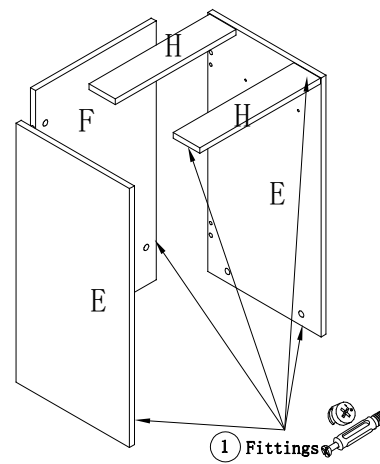
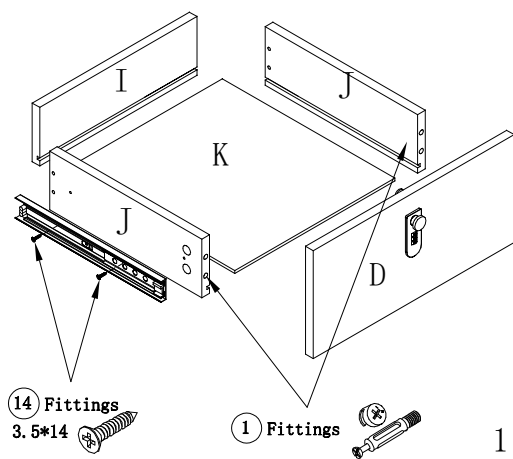
Units: mm



Diflcuidade | Dificultad | Difficulty



NO	Name	Size	Qty	Note
1	Fittings	∅8*37/∅12	88	
2	Chip	30*8*8	40	
3	Guide Rail	14" *35mm	4	
4	Adjustable Feet	H30	10	
5	Lock	75*29	4	
6	Locking pieces		4	
7	Handle		4	
8	Screw	M4*20	4	
9	Pad	∅4*9	4	
10	Hinge	A	4	
11	Hinge	A	4	
12	Cap		88	
13	Screw	∅4*20	30	
14		∅3.5*14	180	
15		∅3.5*35	32	
16	Corner Brace	50*50*50	8	



Assembly Instruction 9

60 Minutos

Item No:RD1128 2/2

Spec:2400*1200*750