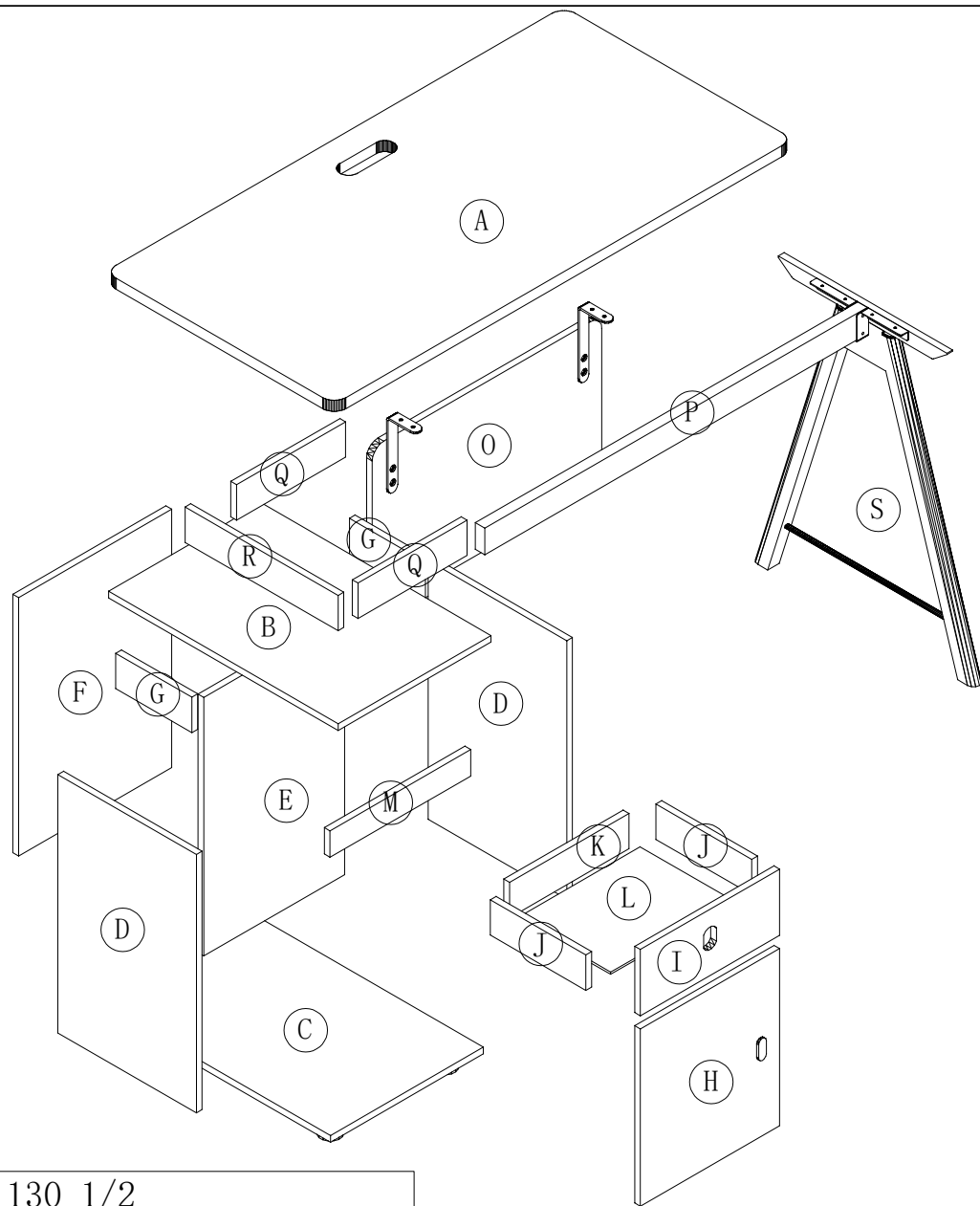


ASSEMBLY INSTRUCTION



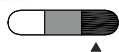
NO.	Dimension (mm)			Qty
Panel A	1197	597	25	1
Panel B	398	578	15	1
Panel C	398	576	15	1
Panel D	583	360	15	2
Panel E	583	366	15	1
Panel F	583	398	15	1
Panel G	197	78	15	2
Panel H	399	362	15	1
Panel I	362	148	15	1
Panel J	298	78	15	2
Panel K	310	78	15	1
Panel L	322	295	5	1
Panel M	366	58	15	1
Panel O	598	378	15	1
Panel P	898	58	25	1
Panel Q	183	78	15	2
Panel R	78	398	15	1
Panel S	580	725		1

Parts list

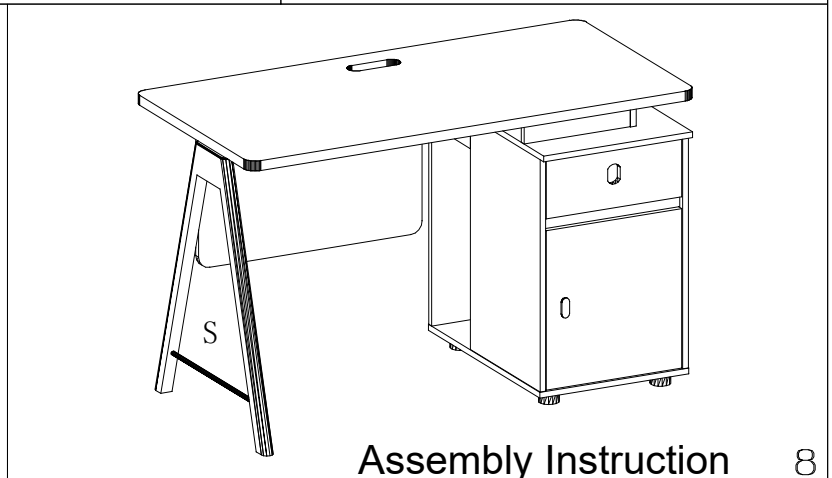
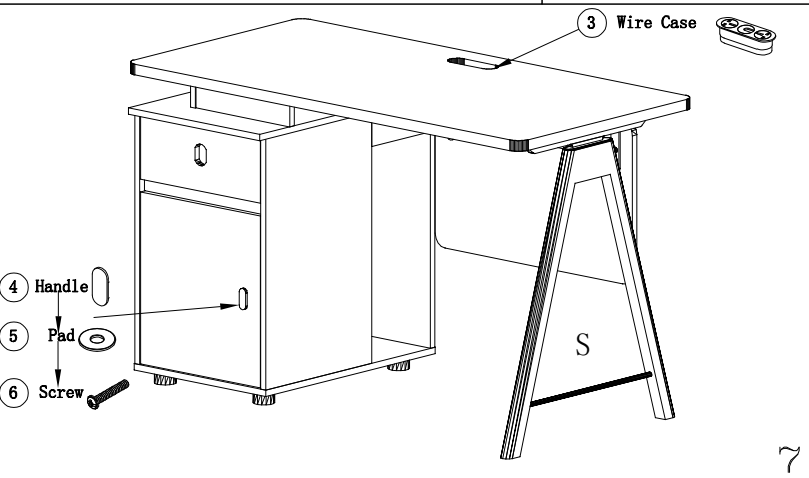
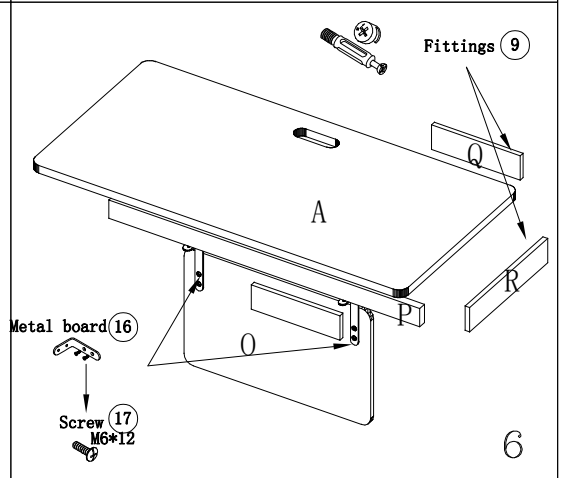
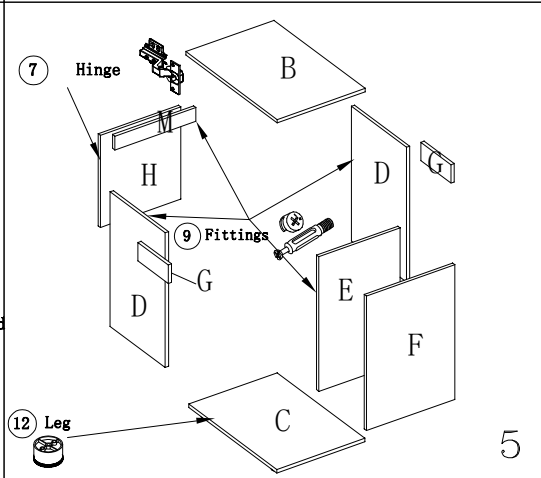
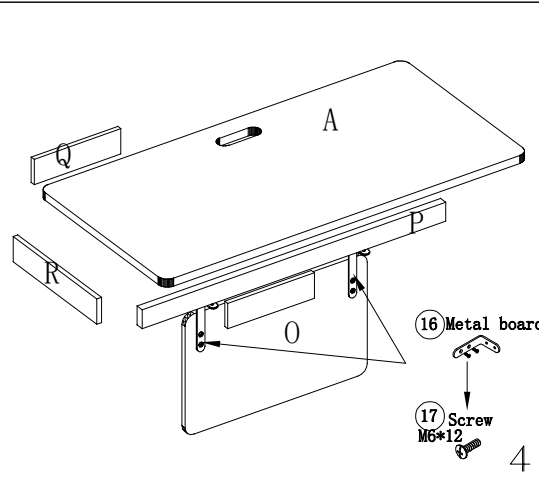
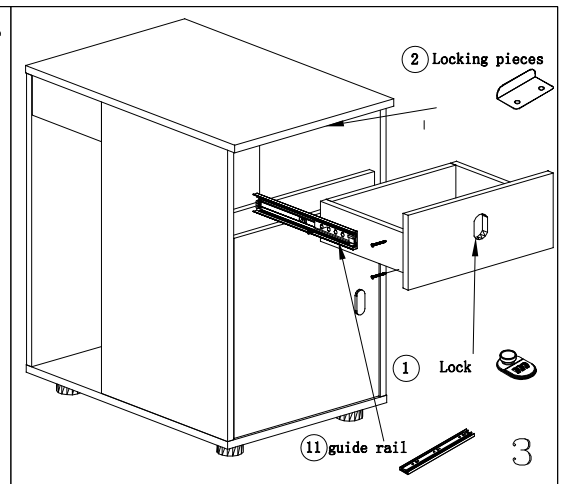
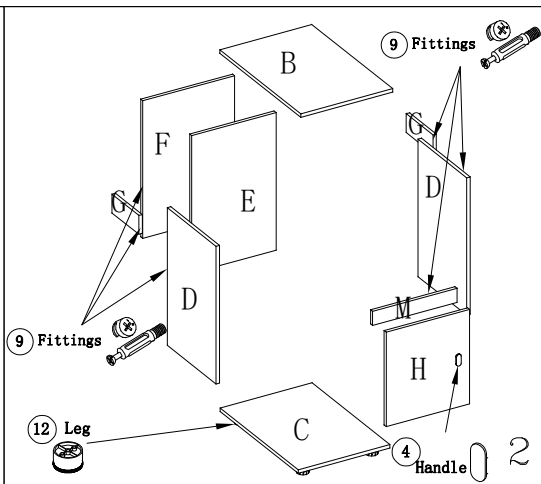
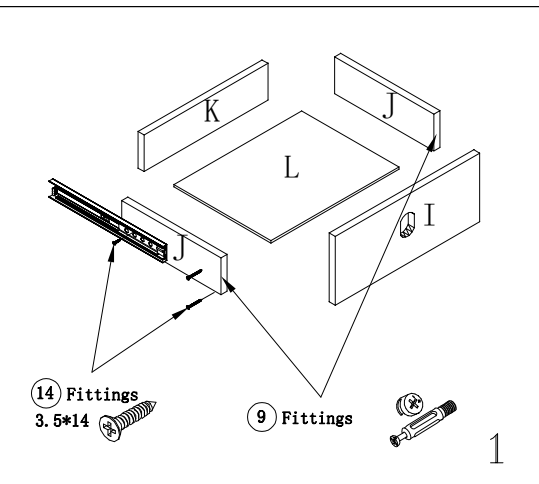
Unit: mm



Difícilidade | Dificultad | Difficulty



NO	Name	Size	Qty	Note
1	Lock		1	
2	Locking pieces		1	
3	Wire Case		1	
4	Handle		1	
5	Pad	M4*9	2	
6	Screw	M4*20	2	
7	Hinge	C	2	
8	Plastic nut		12	
9	Fittings	Φ8*37/Φ12	46	
10	Cover		46	
11	guide rail	12"	1	
12	Leg		4	
13	Screw	Φ4*20	12	
14		3.5*14	26	
15		3.5*35	4	
16	Metal board	175*75*25	2	
17	Screw	M6*12	4	
18	Screw	5*20	6	



60 Minutos

Item No: RD1130 2/2

Spec: 1200*600*750