

ASSEMBLY INSTRUCTION

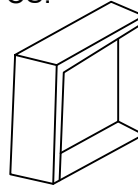
1 .-1PC.



2 .-1PC.



3 .-2PCS.



4 .-4PCS.



A .-4PCS.



B .-4PCS.



C .-4PCS.



D .-4PCS.



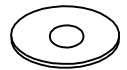
E .-4PCS.



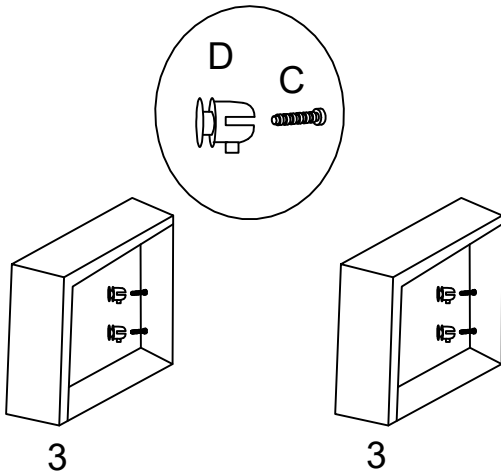
F .-1PC.



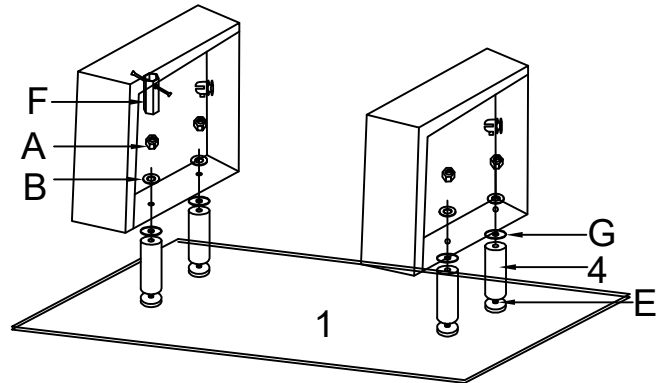
G .-4PCS.



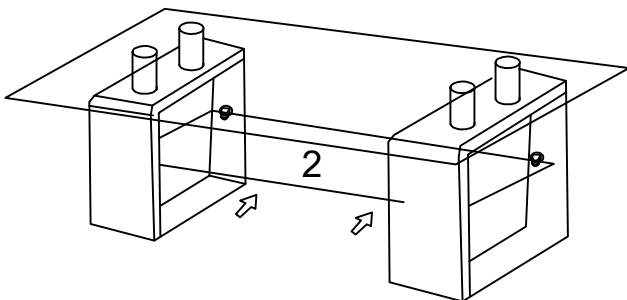
1



2



3



4

