

ASSEMBLY INSTRUCTION
MODEL : DC 2403

Please read instruction carefully

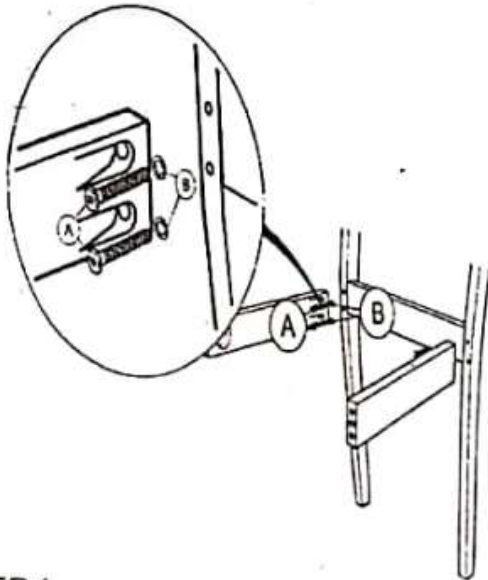
Remove all wrapping materials, staples and packing straps from the carton. Refer to part and hardware list table to ensure the parts are complete before start assemble. Place all wooden parts on clean, flats and soft surface (e.g. carpet or rug) to prevent part from being scratched.

Cautions:

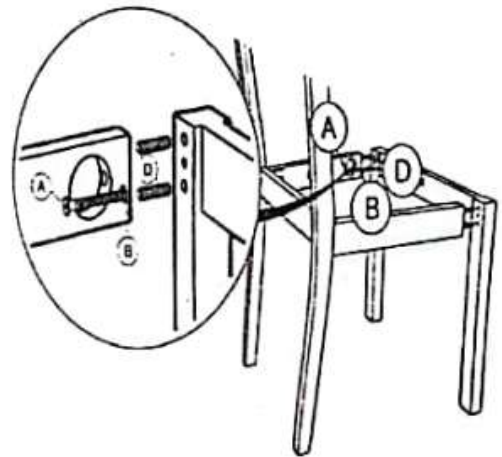
1. Do not fully tighten bolts and nut until all parts have been assembled.
2. Do not over-tighten bolts and nuts as it may damage the screw thread.
3. Keep all hardware parts out of reach of children.

PART LIST		
NO	DESCRIPTION	QTY
1	CHAIR BACK	2 PCS
2	SIDE PANEL	4 PCS
3	FRONT FRAME	2 PCS
4	CUSHION SEAT	2 PCS

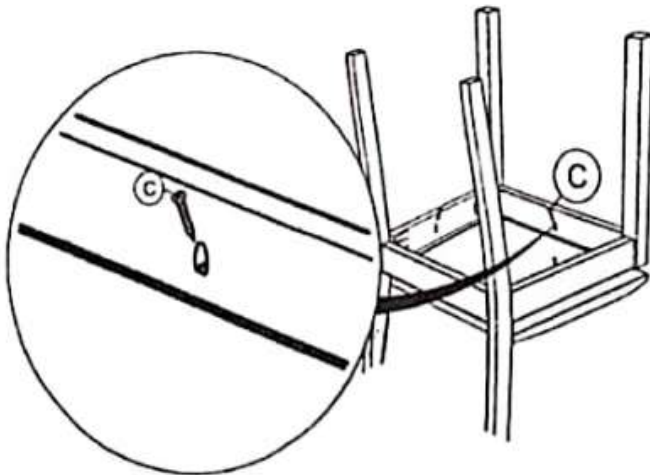
HARDWARE LIST		
NO	DESCRIPTION	QTY
A	JCBC M6x50MM	12 PCS
B	SPRING WASHER M6x13MM	12 PCS
C	CSK M4x30MM	6 PCS
D	WOOD DOWEL M8x30MM	8 PCS
E	ALLEN KEY M4	1 PCS



STEP 1



STEP 2



STEP 3

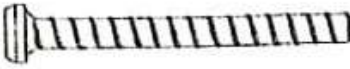





COMPLETE ASSEMBLE

MODEL: DT 857

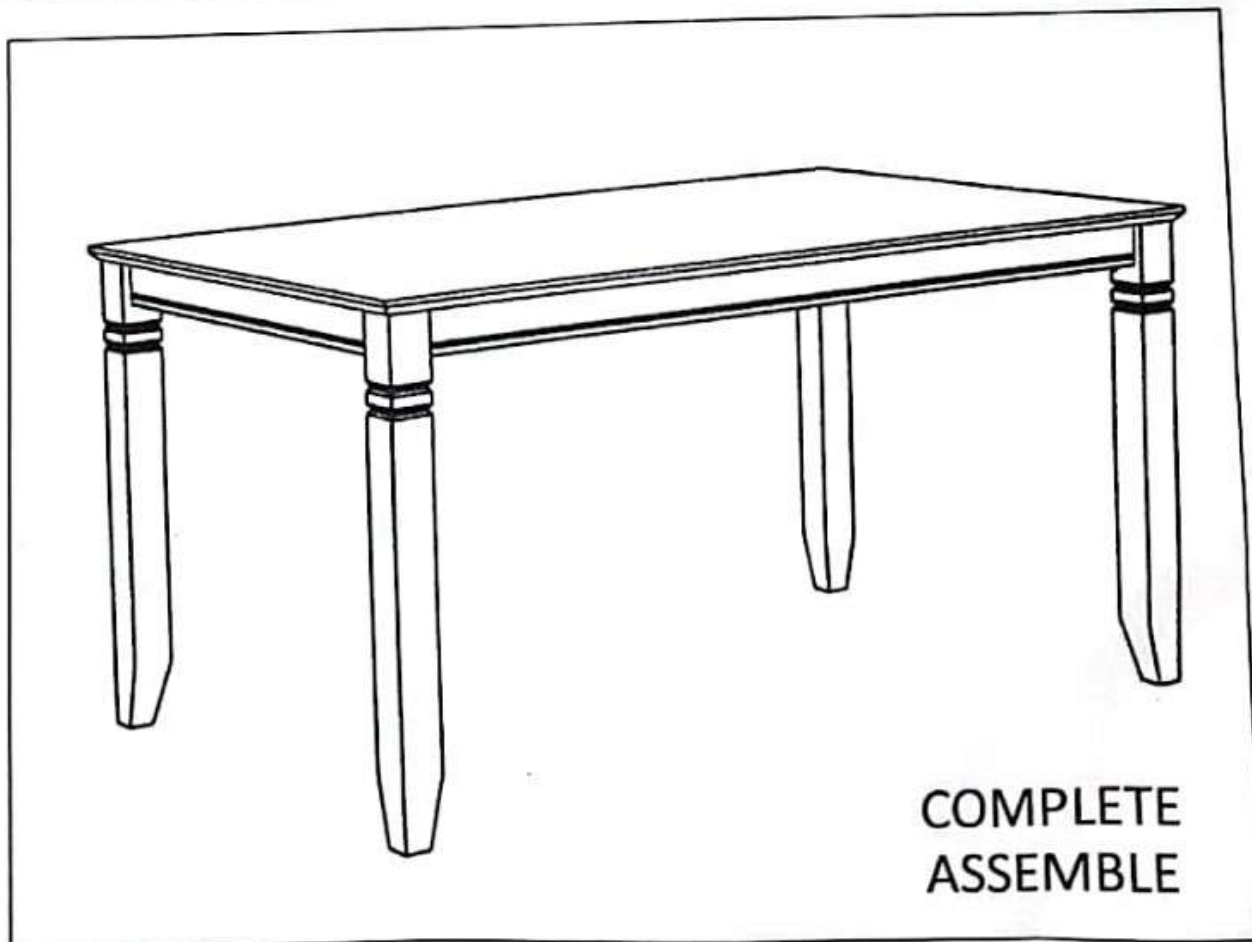
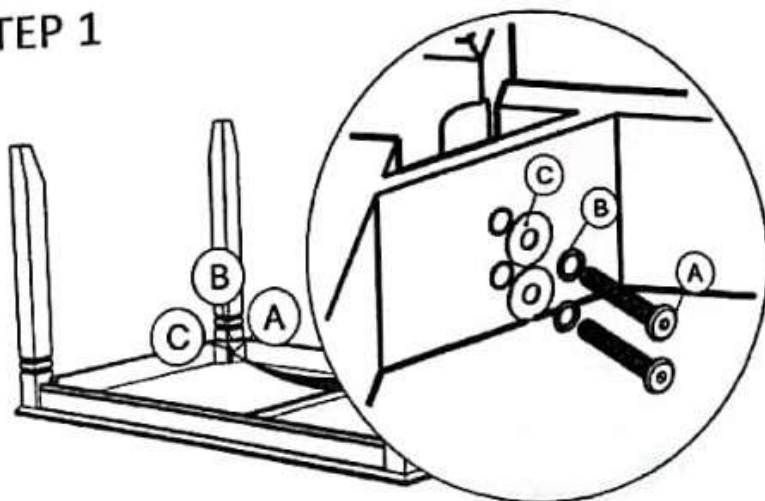
Thanks you for purchasing this quality product. Be sure to check all packing material carefully for small parts which may have come loose inside the carton during the shipment. Count all parts and metal hardware, compare all parts list below to be sure all parts are present.

NOTE: HARDWARE AND QUANTITY SHOW BELOW ARE FOR 1 UNIT ASSEMBLY.

HARDWARE LIST		
NO	DESCRIPTION	QTY
A	 JCBC M6 x 60	8 PCS
B	 M6 SPRING WASHER	8 PCS
C	 M6 FLAT WASHER	8 PCS
D	 ALLEN KEY	1 PCS

PART LIST		
NO	DESCRIPTION	QTY
1.	TABLE TOP	1 PCS
2	TABLE LEG	4 PCS

STEP 1



COMPLETE ASSEMBLE